

North East Toilet Cubicles Ltd.

Tel: 01429 277500

Email: info@netoiletcubicles.co.uk



Compact Flat Panel Vanity - Standard Frame Drawings/Guide & Assembly Details

FRAME / VANITY FIT GUIDE ~ Inset Basin

These drawings are based on a "Standard Vanity" 600mm deep x 800mm high.

Frame cross sections, dimensions, timber lengths are based on 3X2 (63mm x 38mm) CLS.

Note:

- IF YOU HAVE ORDERED A VANITY WHICH DIFFERS FROM THE ABOVE SIZES, YOU WILL NEED TO MAKE THE NECESSARY ADJUSTMENTS TO YOUR FRAME.
- Drawings sent prior to manufacture, for your confirmation are specific to your order. These drawings should provide enough information to enable a competent person to manufacture the relevant frame. If you require any further assistance, please contact us.
- Further frame modifications may be required depending on the sink, sink waste, pipes or plumbing etc.

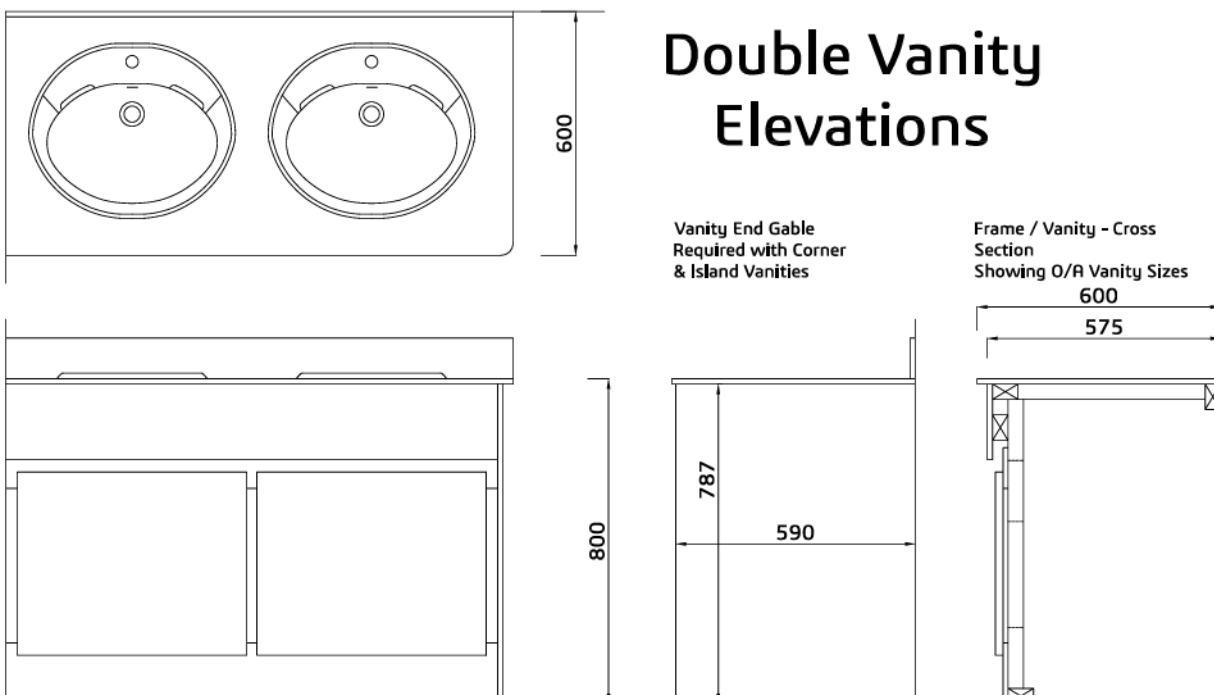
Unless clearly stated when Quoting, Vanity Frames will not be supplied. Frames can be supplied in the way of Pre-Assembled Frames of "Cut Timbers" for assembly on site by others.

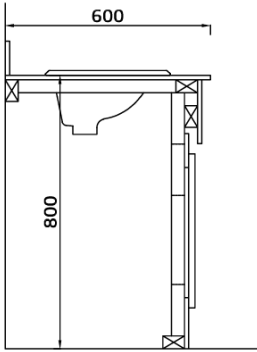
Sanitaryware is not supplied, all sink and tap holes/cut outs are by others.

Consideration - Vanity Assembly

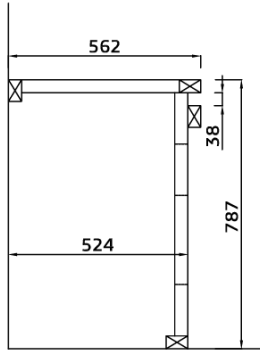
Cutting out for and plumbing in the sinks is the most difficult part of the installation. With this in mind we recommend fitting the front vanity downstand, then the vanity top first, then cut out for the sinks and plumb in the sinks.

This allows easier access to the underside of the vanity, thereafter fit the shadow and access panels.

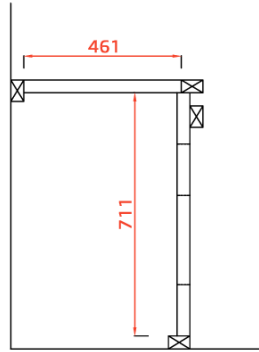




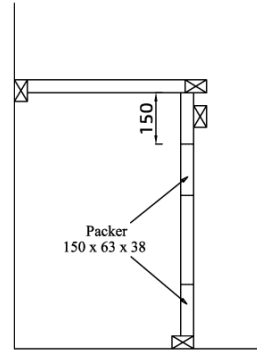
Frame / Vanity - Cross Section
Showing O/A Vanity Sizes



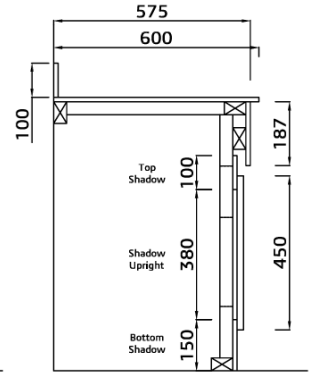
Frame - Cross Section
Showing O/A Frame Sizes



Showing Frame Timber
Sizes

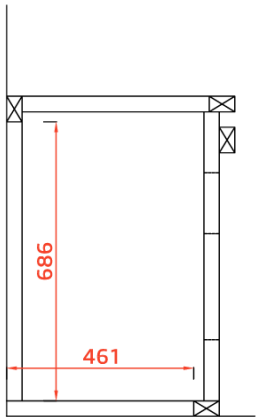


Additional Frame Detail

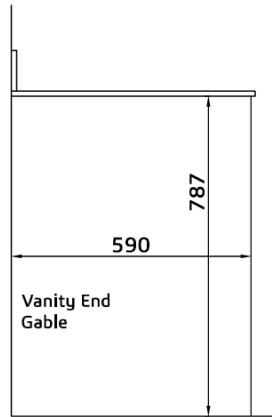


Vanity Panel Sizes

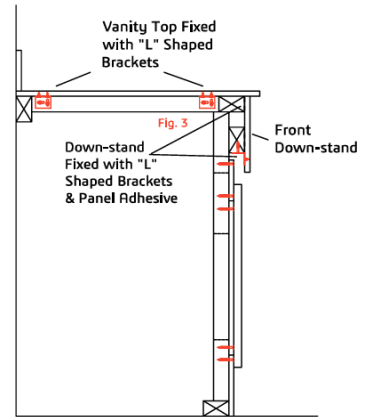
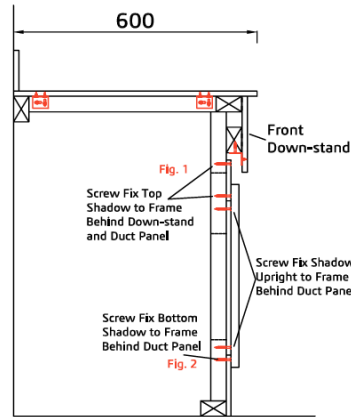
Information Provided for Guidance Only
Your Vanity May be Different



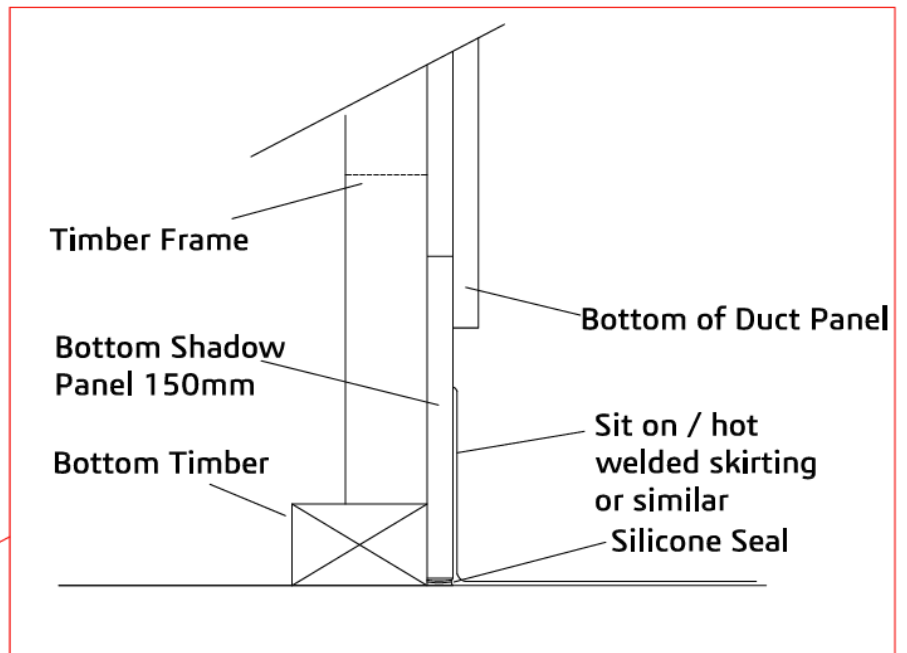
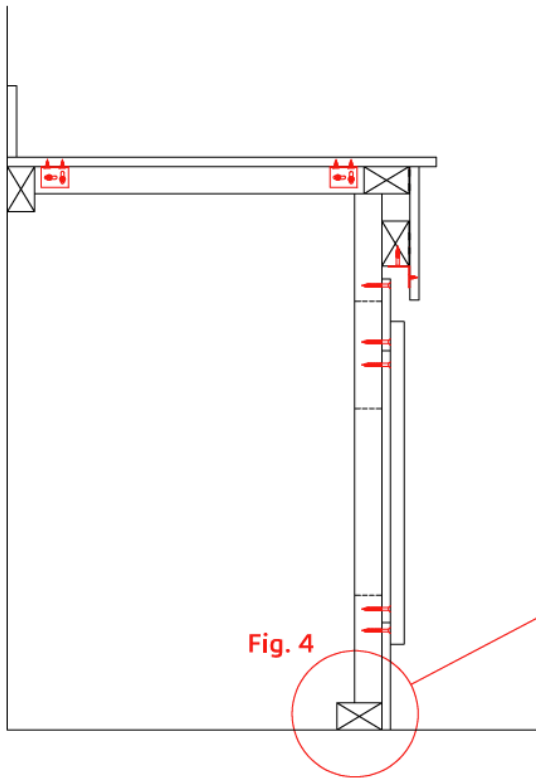
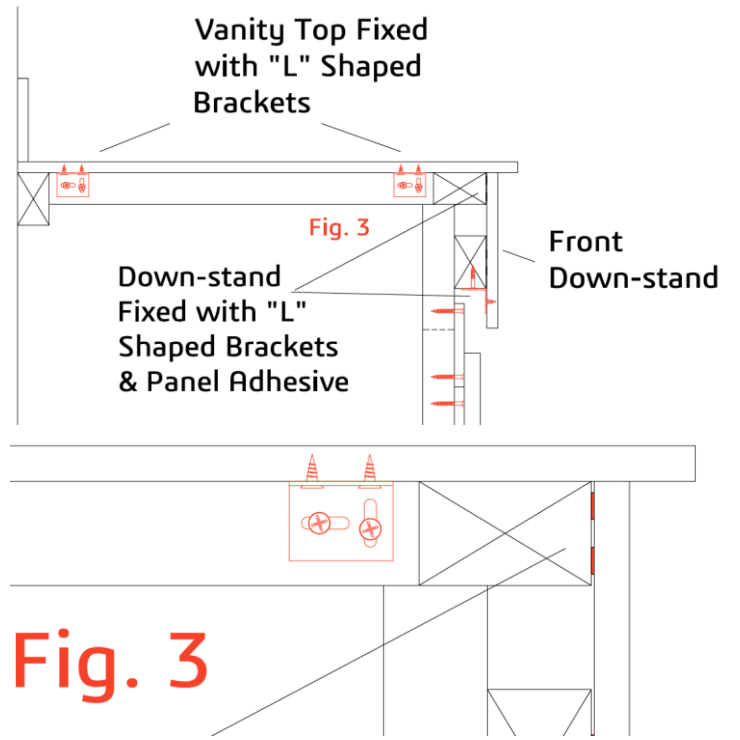
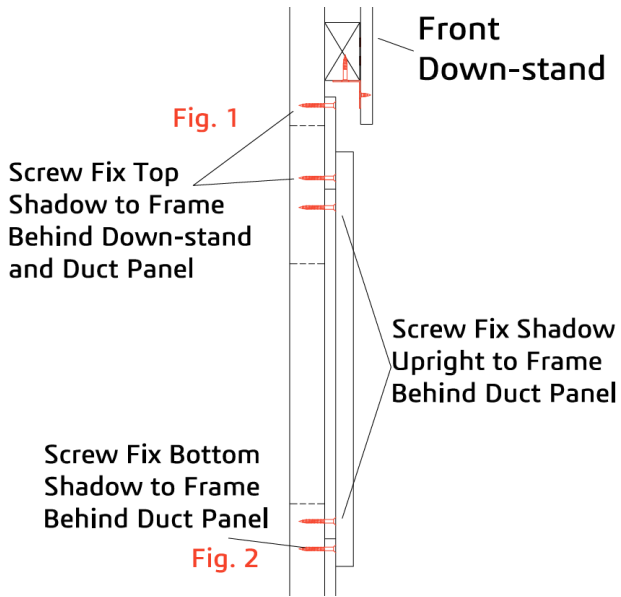
Frame - End View Showing
Additional Timbers / Sizes
Required for Corner &
Island Vanity



Vanity End
Gable

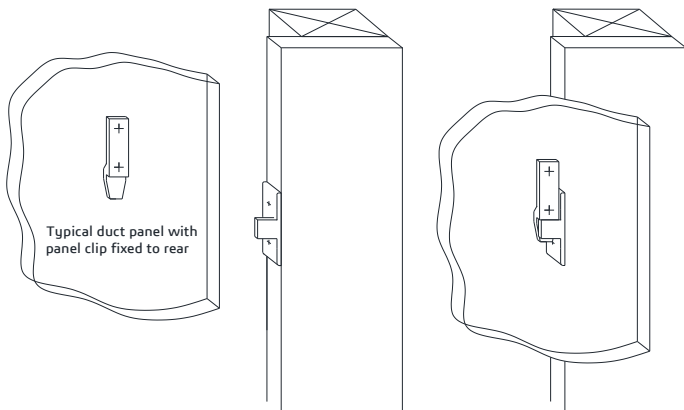


Information Provided for Guidance Only
Your Vanity May be Different

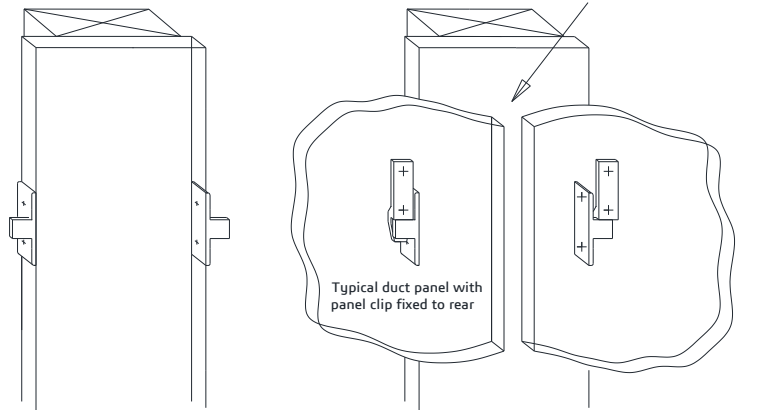


Panel Clip - Details

Typical drawing showing END / WALL shadow panel & duct panel clip arrangement



Typical drawing showing MIDDLE shadow panel & duct panel clip arrangement



PANEL CLIPS ~ 'L' BRACKETS ~ LOCK KEEPS ETC.

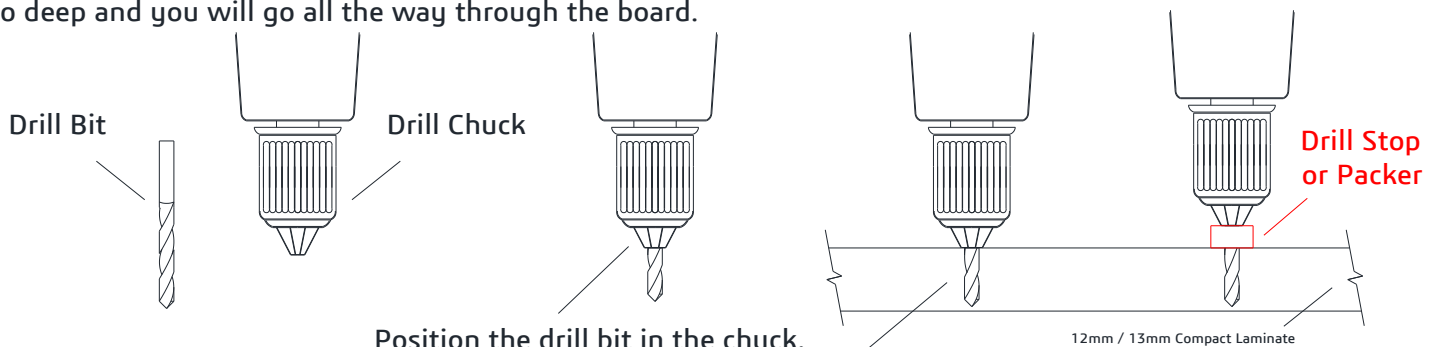
PILOT DRILLING FOR 12mm / 13mm SOLID GRADE COMPACT LAMINATE

Position the drill bit in the drill chuck so that it is not sticking out further than the thickness of the board material

If required you should use a drill stop / packer

It is important to drill the hole to the correct depth.

Too short and you will break out the front of the board or round out the threads on the hole
 Too deep and you will go all the way through the board.



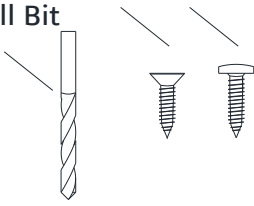
Position the drill bit in the chuck.
 The drill bit should be deep enough so as not to come through the front of the board

DO NOT DRILL ALL THE WAY THROUGH THE BOARD

Loose Fixings & Drilling

CSK Screw
Various Lengths

3mm Drill Bit

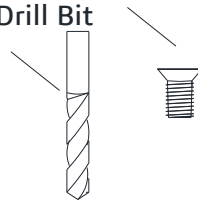


2 Indicator Bolt Fixings
Rear of Headrail Fixings

Both Require Drilling on Site

M5 CSK Machine Screw
10mm Long - 9mm Dia

4.5mm Drill Bit

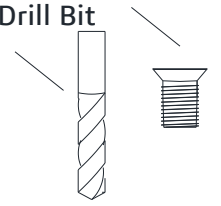


Pilaster "D" Bracket Fixings - Predrilled

Keep Fixings - Require Drilling on Site

M6 CSK Machine Screw
12mm Long - 11mm Dia

5.5mm Drill Bit

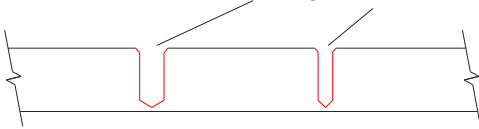


Hinge Fixings - Predrilled

LOCK FIXINGS & LOCK KEEP FIXINGS DO NOT DRILL ALL THE WAY THROUGH THE BOARD

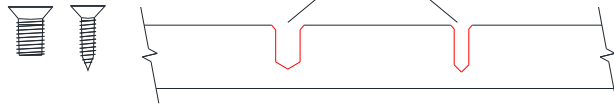
Correct Hole Depth

Holes also require a slight countersink to the top

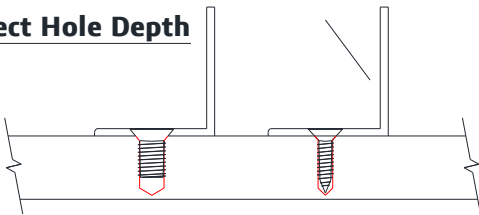


Lock Keep Shown as an example

Incorrect Hole Depth - Not Deep Enough

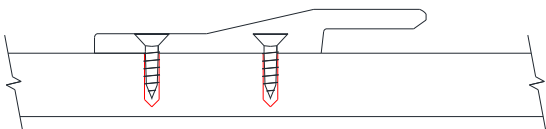


Correct Hole Depth

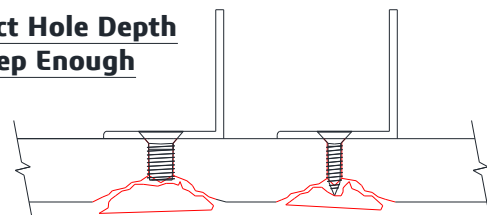


Correct Hole Depth

Lift of Panel Clips Shown as an example



Incorrect Hole Depth Not Deep Enough



If the holes are not drilled deep enough
the fixings will break the front of the board

DO NOT DRILL ALL THE WAY THROUGH THE BOARD