

North East Toilet Cubicles Ltd.

Tel: 01429 277500 Fax: 01429 868590

Email: info@netoiletcubicles.co.uk

Reduced Height Toilet Duct Panels

The following drawings are provided as a GUIDE ONLY

Drawings show our TWO Standard Heights for Reduced Height Toilets Duct & Shadow Panels.

Frame cross section drawings are based on the same.

Note

If different panel heights, distance between bottom panel and floor or if horizontal gaps between panels are requested the heights of horizontal timbers, bracing timbers will need to be moved to suit.

Frame modifications may also need to be made to suit waste/soil pipes, plumbing, drains etc.

STANDARD HEIGHT CUBICLES REDUCED HEIGHT DUCT

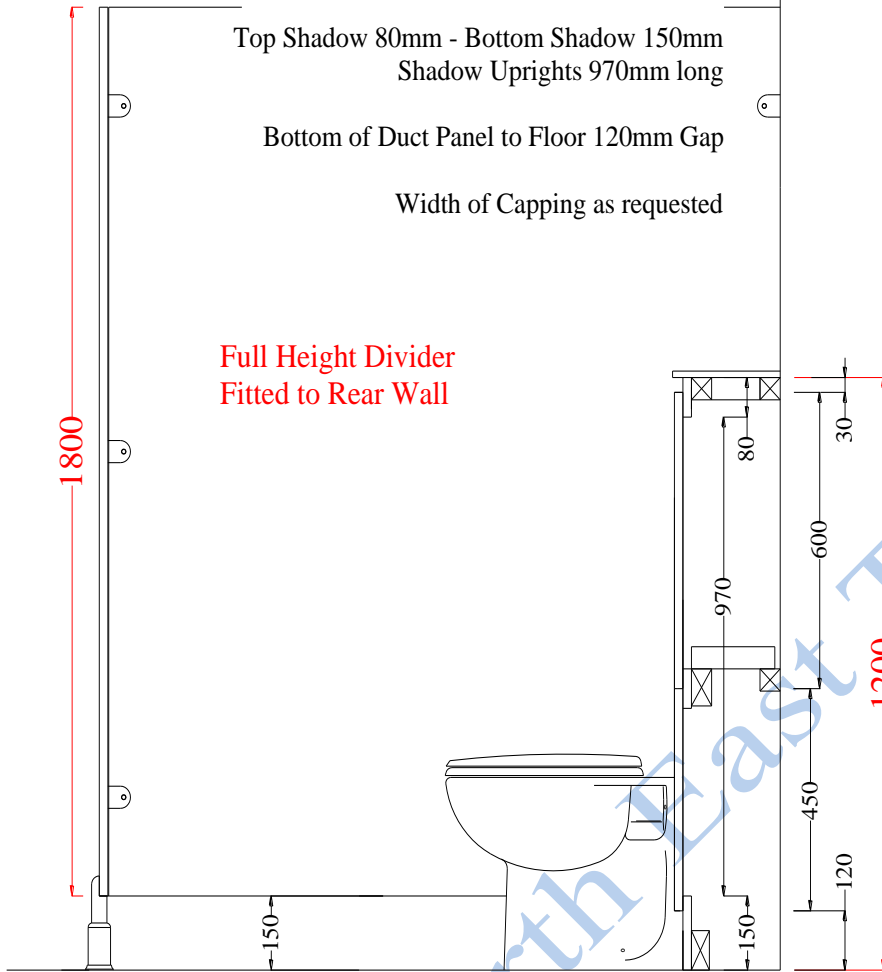
Standard Height - Floor to top of frame 1200mm
Height of Bottom WC Duct Panel 450mm
Height of Top WC Duct Panel 600mm

Top Shadow 80mm - Bottom Shadow 150mm
Shadow Uprights 970mm long

Bottom of Duct Panel to Floor 120mm Gap

Width of Capping as requested

Full Height Divider
Fitted to Rear Wall



BUDGET JUNIOR - REDUCED HEIGHT DUCT

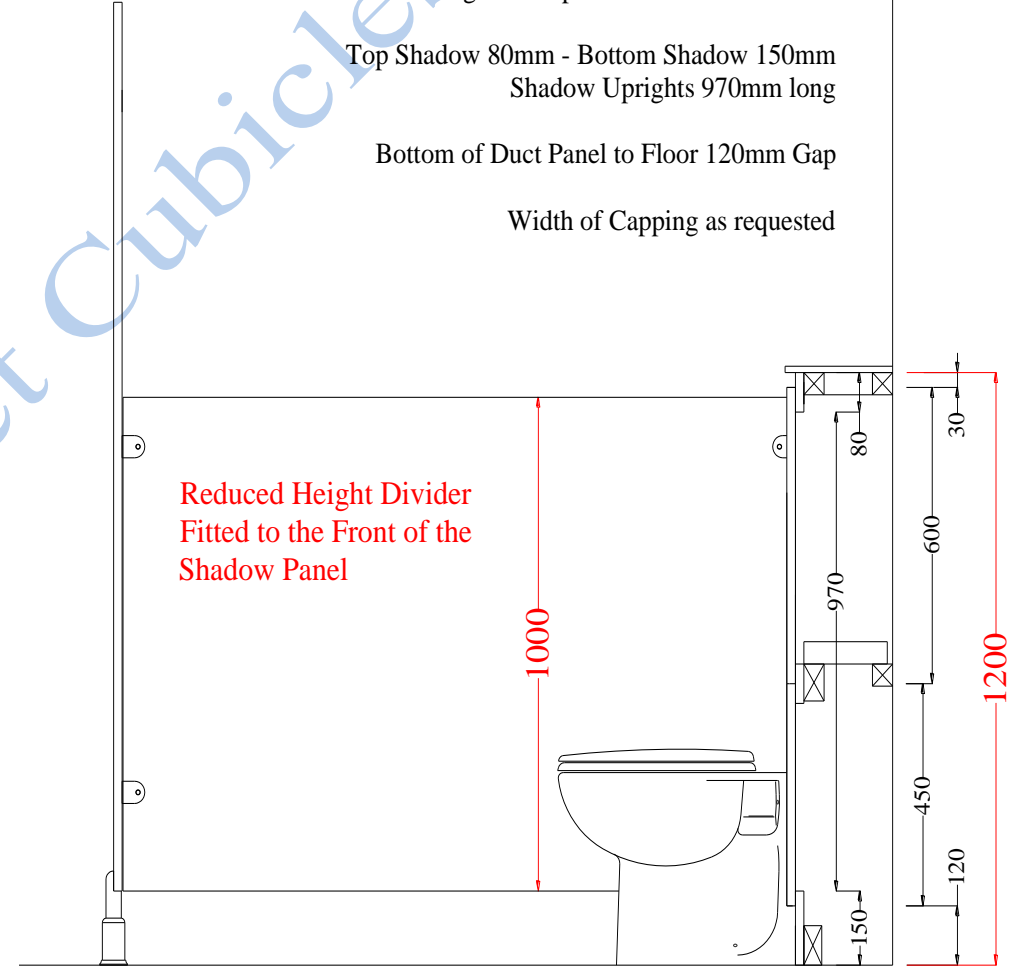
Standard Height - Floor to top of frame 1200mm
Height of Bottom WC Duct Panel 450mm
Height of Top WC Duct Panel 600mm

Top Shadow 80mm - Bottom Shadow 150mm
Shadow Uprights 970mm long

Bottom of Duct Panel to Floor 120mm Gap

Width of Capping as requested

Reduced Height Divider
Fitted to the Front of the
Shadow Panel



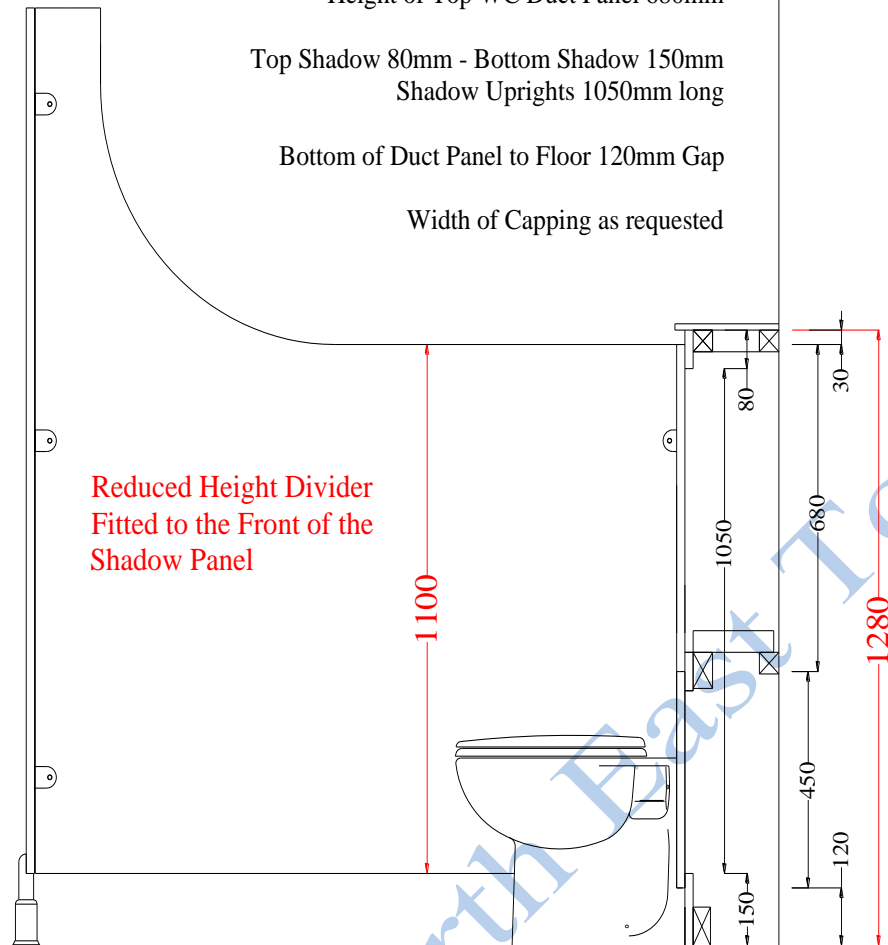
COSMIC RANGE - REDUCED HEIGHT DUCT

Standard Height - Floor to top of frame 1280mm
 Height of Bottom WC Duct Panel 450mm
 Height of Top WC Duct Panel 680mm

Top Shadow 80mm - Bottom Shadow 150mm
 Shadow Uprights 1050mm long

Bottom of Duct Panel to Floor 120mm Gap

Width of Capping as requested



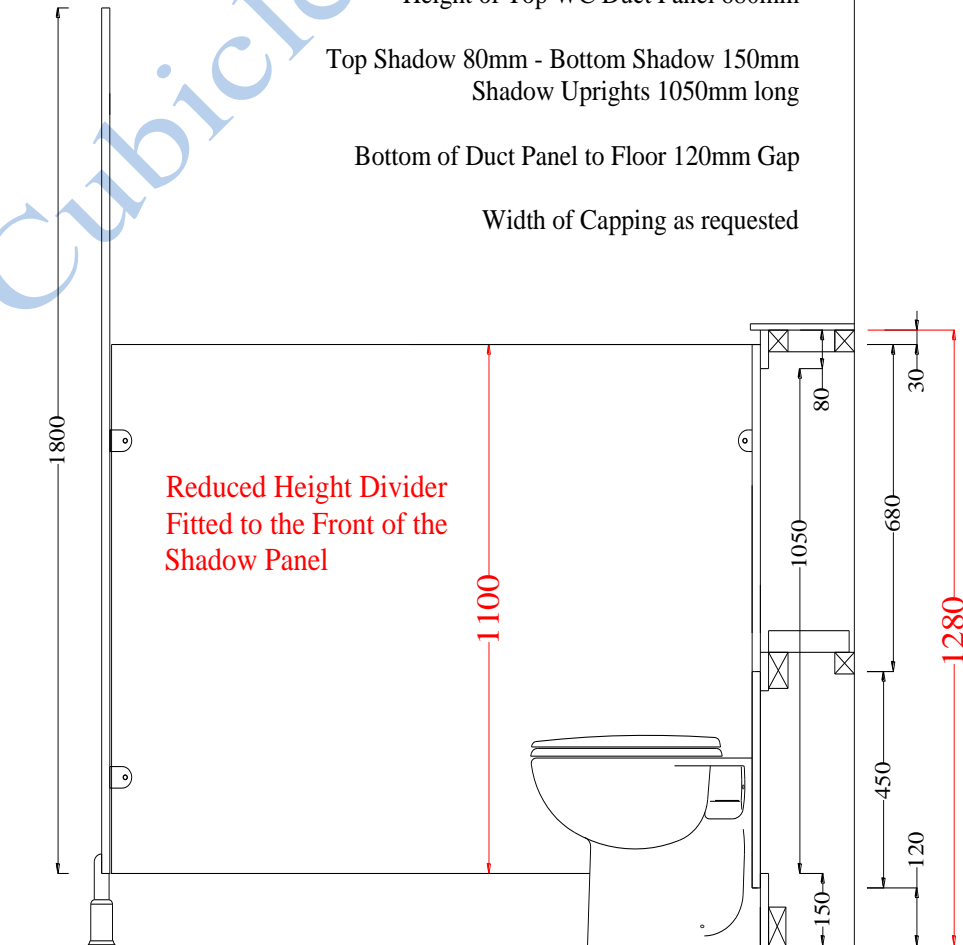
INSPIRATION RANGE - REDUCED HEIGHT DUCT

Standard Height - Floor to top of frame 1280mm
 Height of Bottom WC Duct Panel 450mm
 Height of Top WC Duct Panel 680mm

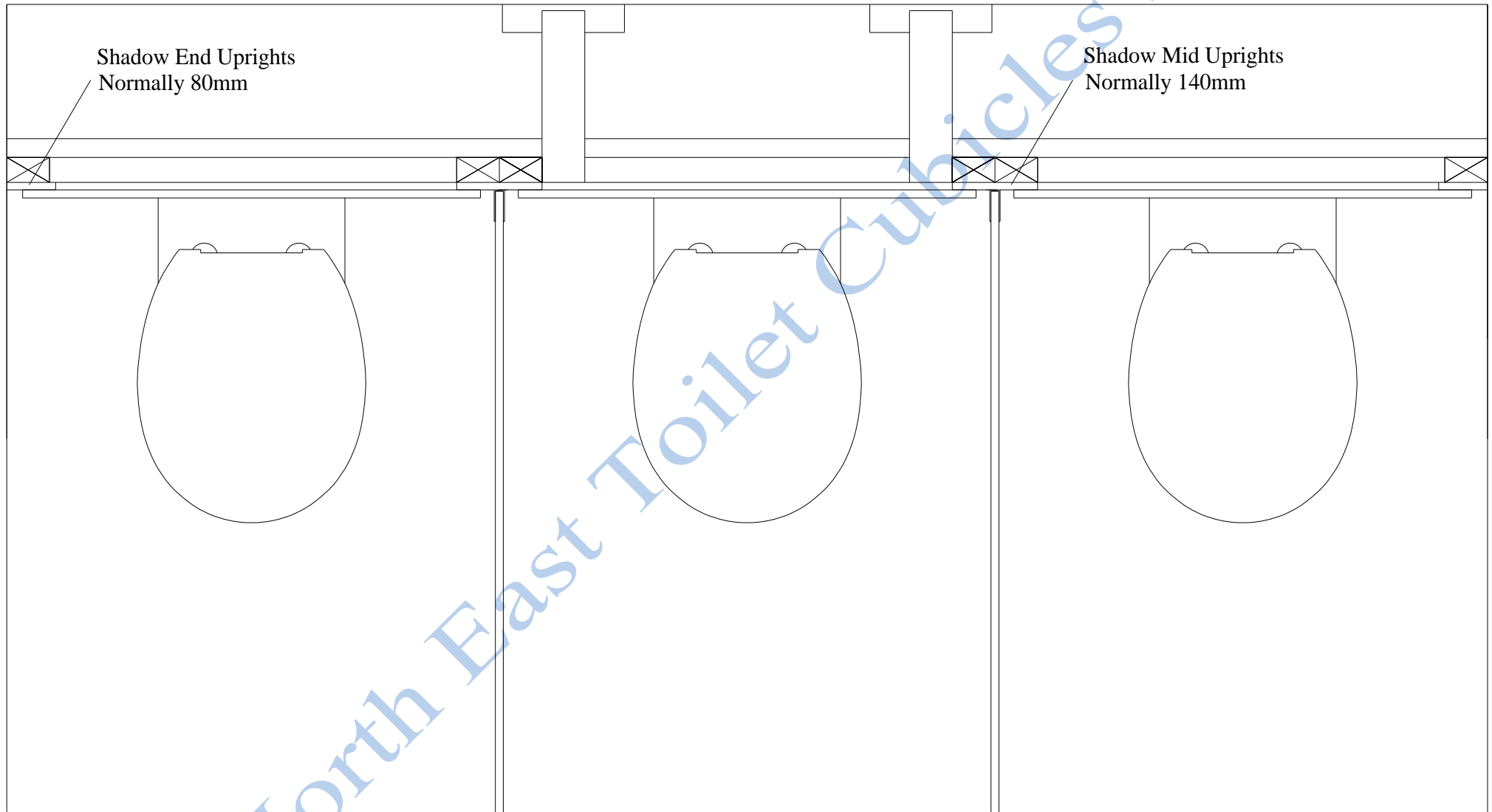
Top Shadow 80mm - Bottom Shadow 150mm
 Shadow Uprights 1050mm long

Bottom of Duct Panel to Floor 120mm Gap

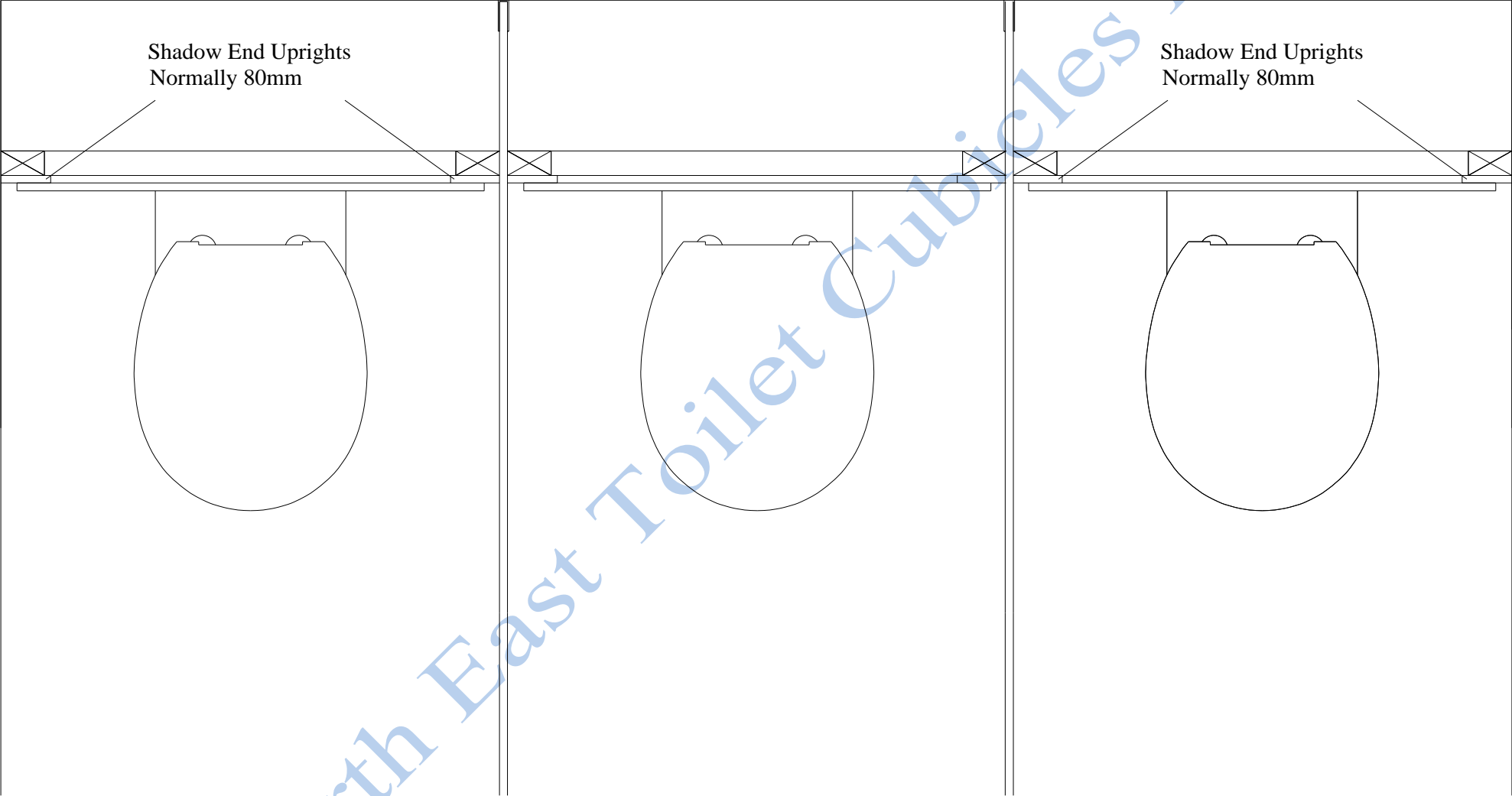
Width of Capping as requested

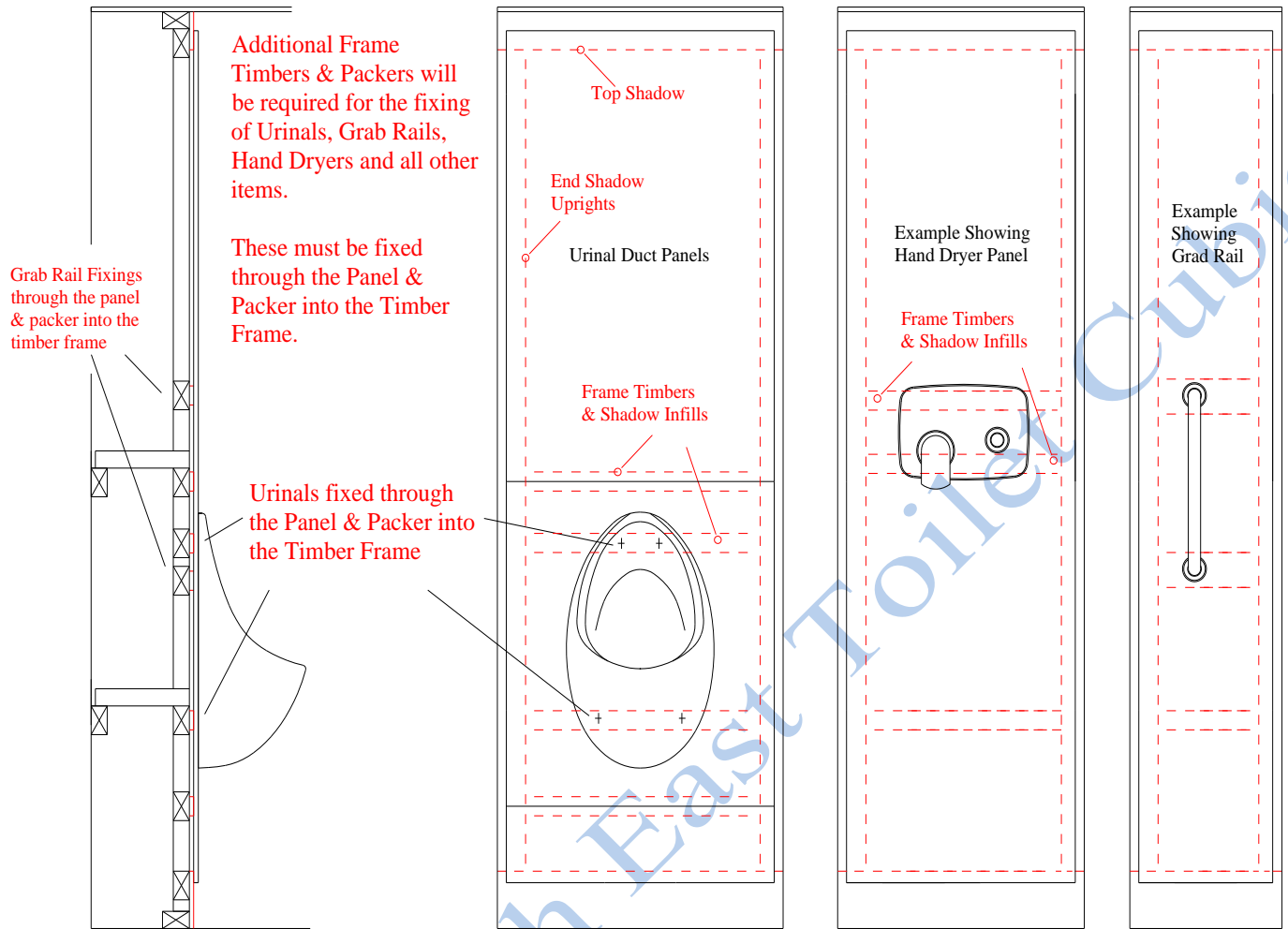


Plan View Showing Dividers Fitted to Front of the Shadow Panels



Plan View Showing Full Height Dividers Fitted to Rear Wall





Additional Frame Timbers & Packers will be required for the fixing of Urinals, Grab Rails, Hand Dryers and all other items.

These must be fixed through the Panel & Packer into the Timber Frame.

Urinals fixed through the Panel & Packer into the Timber Frame

Grab Rail Fixings through the panel & packer into the timber frame

Fixing Urinals, Grab Rails, Hand Dryers Etc.

Additional Frame Timbers & Shadow Packers will be required to enable these or similar items to be fitted.

Urinal & Grab Rails etc. Fixing Brackets should be fixed to the Timber Frame Only.

Ensure you have the packer between the back of the panel and the frame.

Items should not be fixed to the Duct Panel Only

Drill a pilot hole through the Duct Panel and Shadow Packer and Fix the brackets to the frame.

If the Shadow Packer is not in place tightening the fixing brackets will cause the panel will bow.

BOTTOM SHADOW MUST BE SEALED AS SHOWN BELOW.

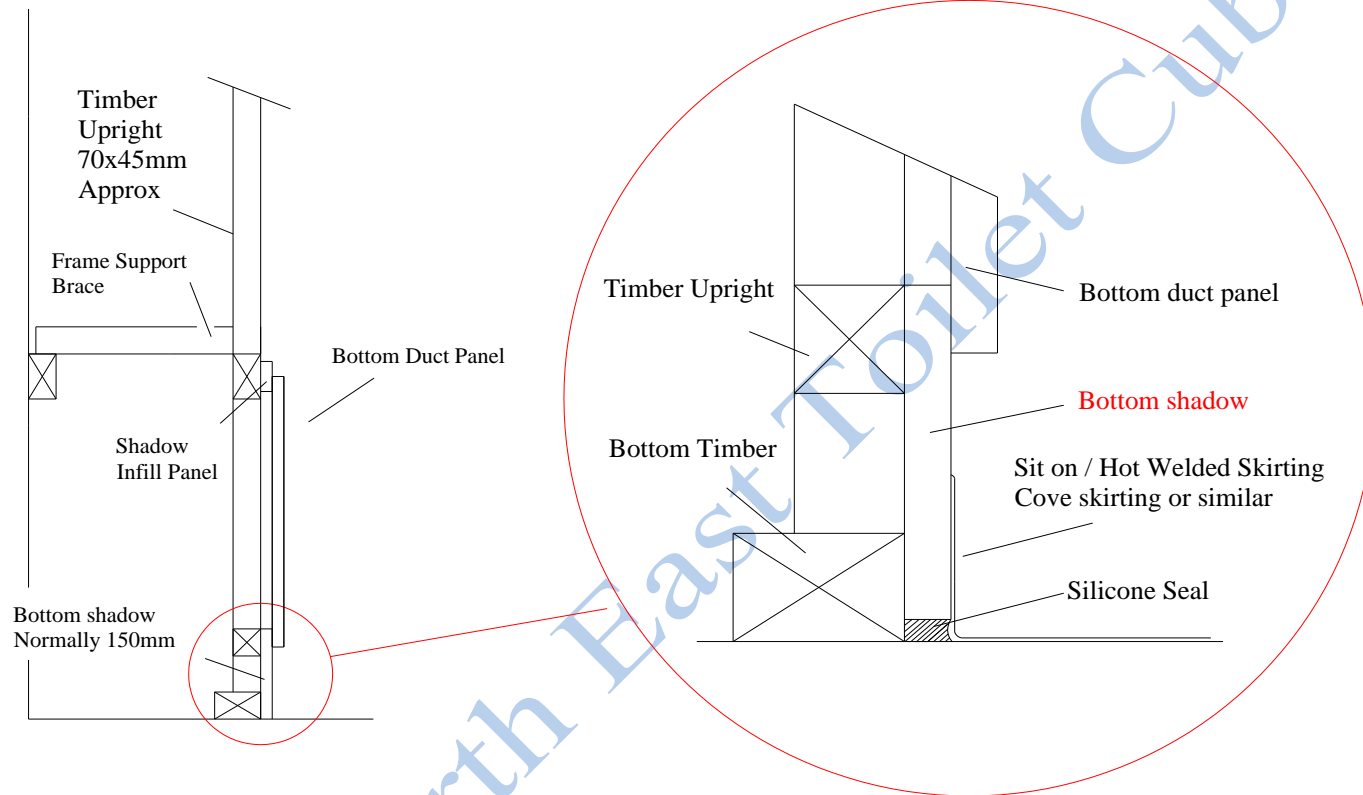
Bottom - Floor Shadow Detail

Bottom shadow supplied in MR MFC must be correctly sealed to the floor, the bottom shadow must then be covered with a secondary waterproof PVC skirting or similar.

North East Toilet Cubicles

Tel: 01429 277500

info@netoiletcubicles.co.uk



MR MFC SHADOW

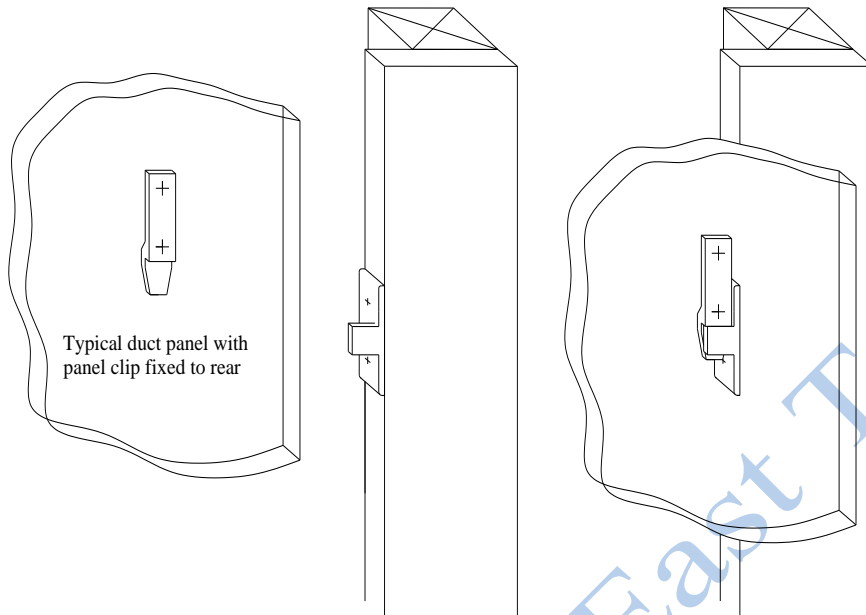
(Olympic Range Board Material)

This arrangement should be followed wherever MR MFC shadow is fitted to the floor i.e. Bottom of WC and Urinal Duct Panels Areas, Vanity Frames etc.

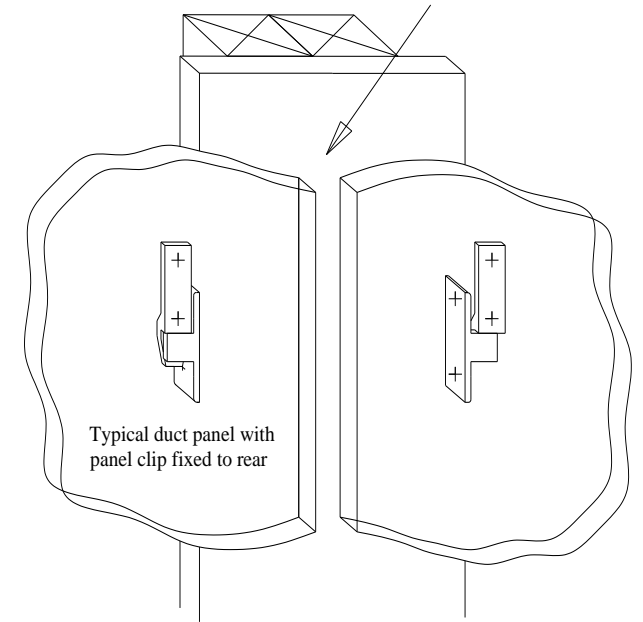
Important Instruction

Panel Clip – Details

Typical drawing showing END / WALL shadow panel & duct panel clip arrangement

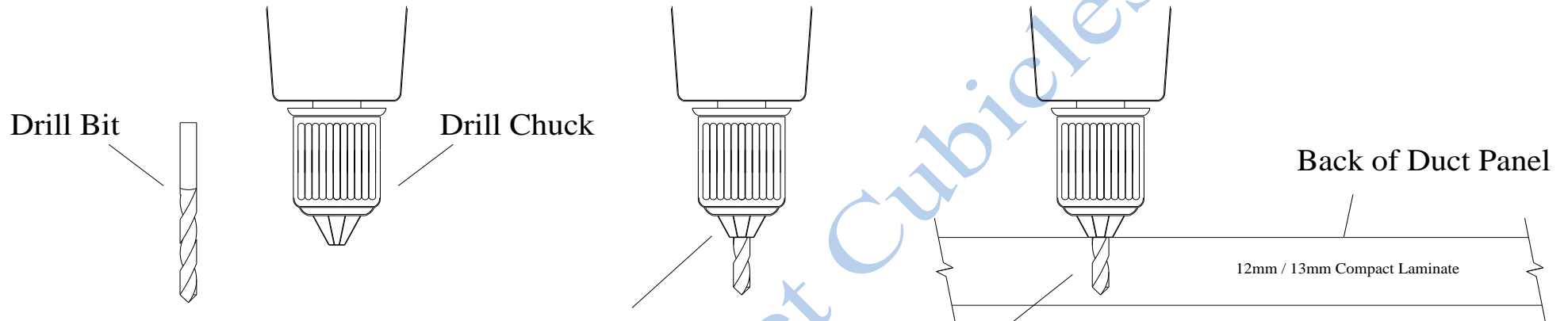


Typical drawing showing MIDDLE shadow panel & duct panel clip arrangement



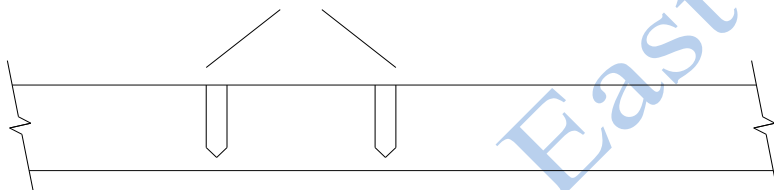
Panel Clip Fixing & Drilling Guide for Warrior Range Duct Panels

12mm / 13mm Solid Grade Compact Laminate

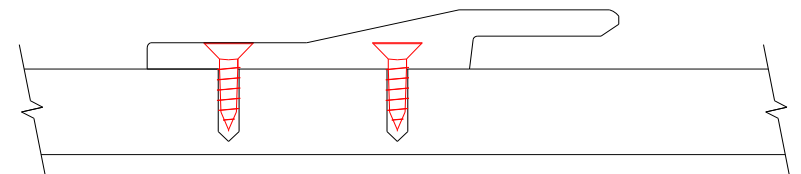


1) Position the drill bit in the chuck.
The drill bit should be deep enough so as not to come through the front of the board

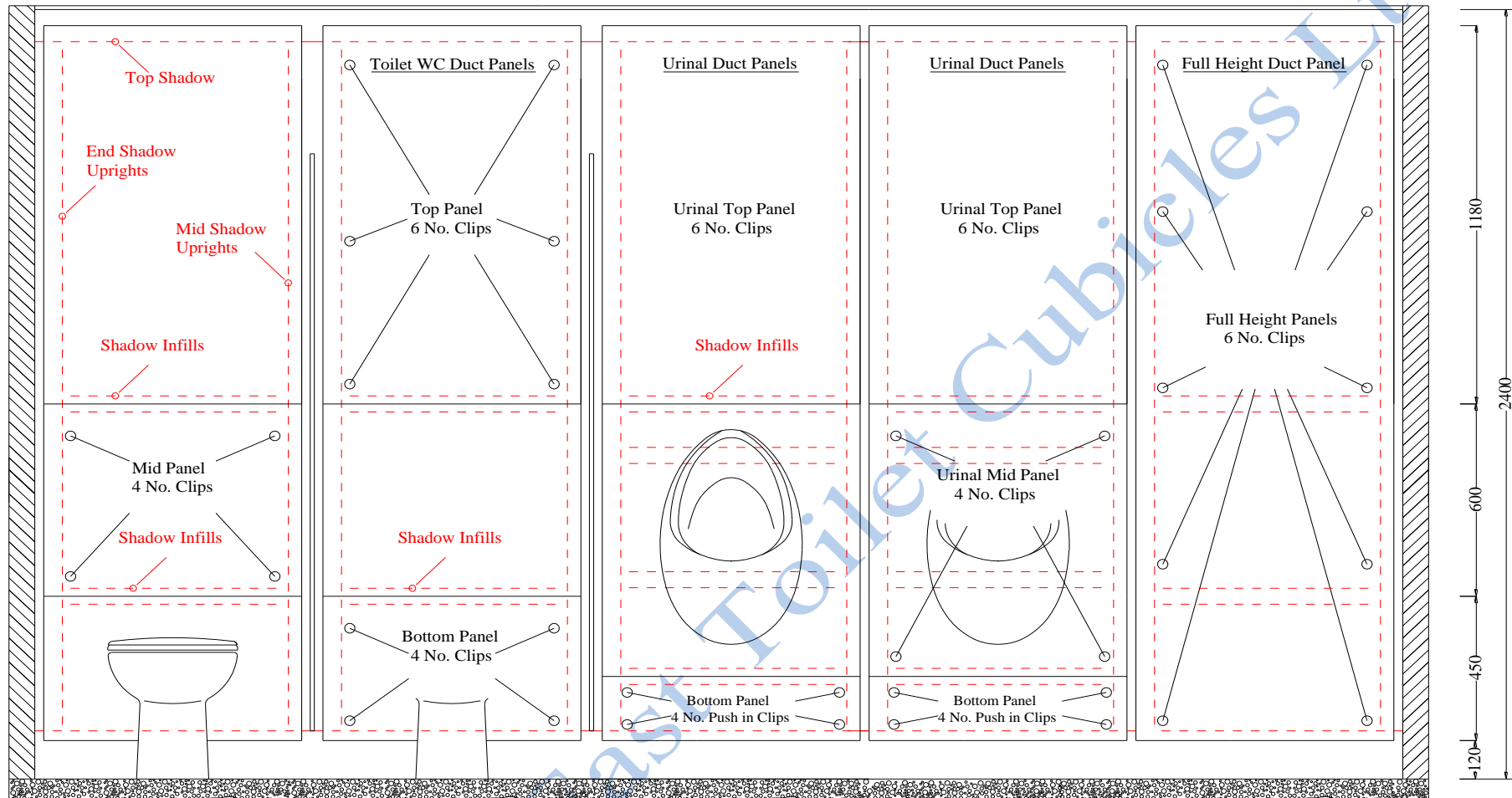
2) Drill pilot holes for the fixing screws



3) Fix the brackets to the board



Position of Panel Clips



Panel Clips should be positioned as close to the top and bottom of the panels as possible to reduce the possibility of the panels moving, cupping or bowing. When positioning the clips to a top panel or panel with a top shadow, make sure you allow enough space so the panel can be lifted off.

As a guide Panels upto 900mm wide

Panels over 850mm to 1400mm in height fixed at low level should be fixed with 6 No Panel Clips. Panels over 1400mm in height should be fixed with 8 / 10 No Panel Clips depending on size. Panels over 900mm wide should be fitted with additional clips