

North East Toilet Cubicles Ltd.

Tel: 01429 277500 Fax: 01429 868590

Email: info@netoiletcubicles.co.uk

Toilet Duct Panel System

The following drawings are provided as a guide
Drawings show our Standard Toilets Duct Panel Heights.

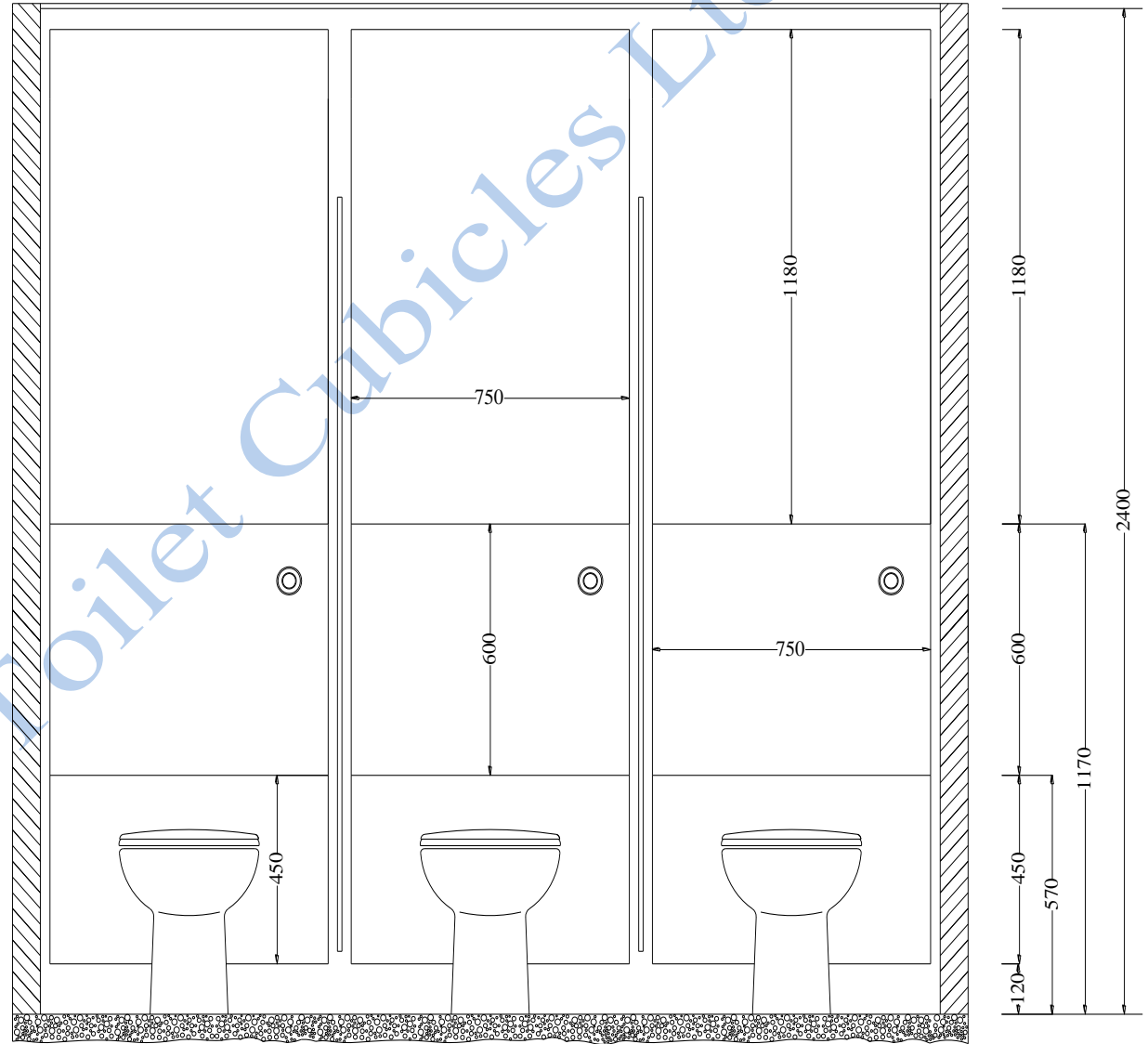
Frame cross section drawings are based on the same and a ceiling height of 2400mm.

Note

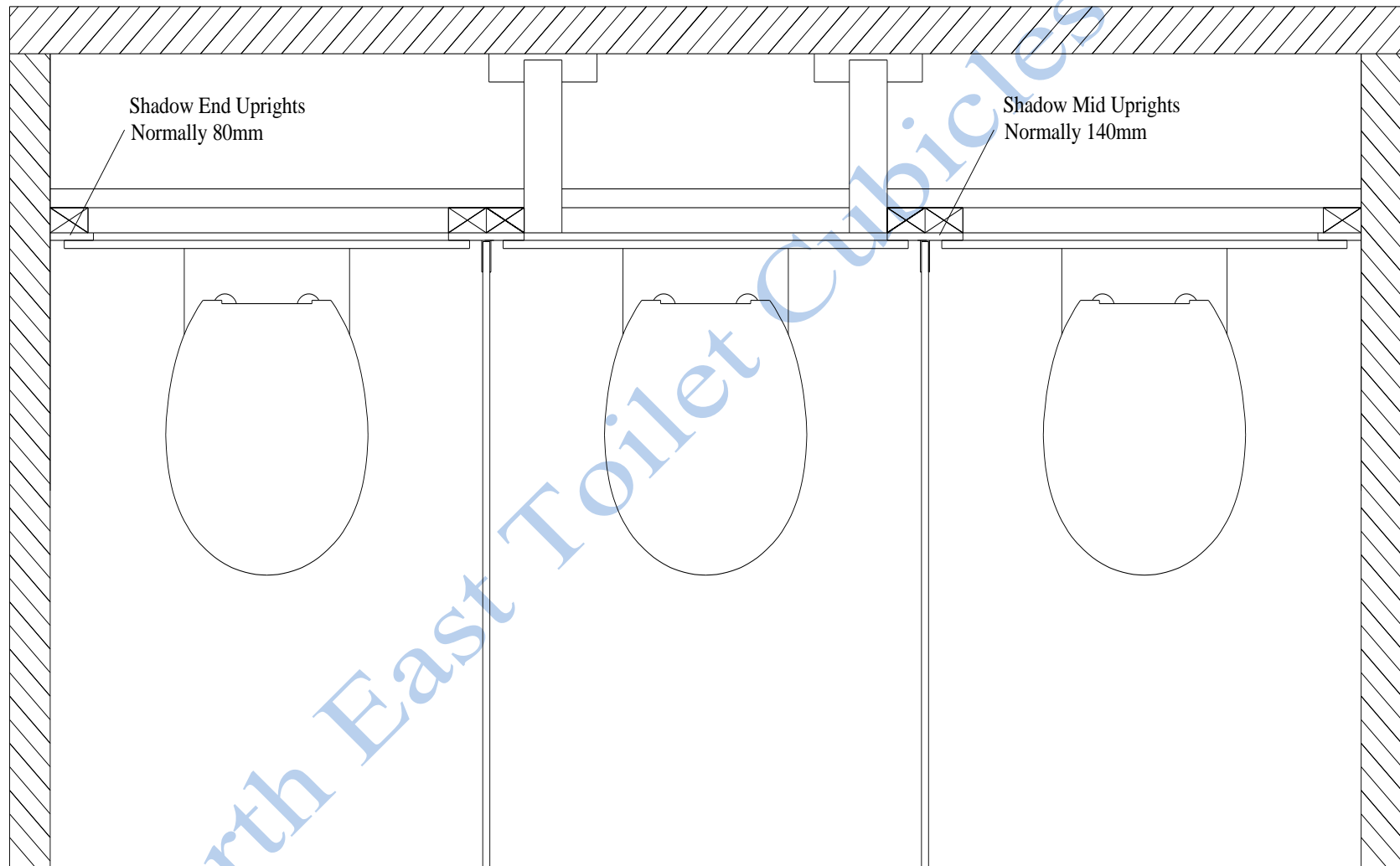
If different panel heights, distance between bottom panel and floor or if horizontal gaps between panels are requested the heights of horizontal timbers, bracing timbers will need to be moved to suit.

Frame modifications may also need to be made to suit waste/soil pipes, plumbing, drains etc.

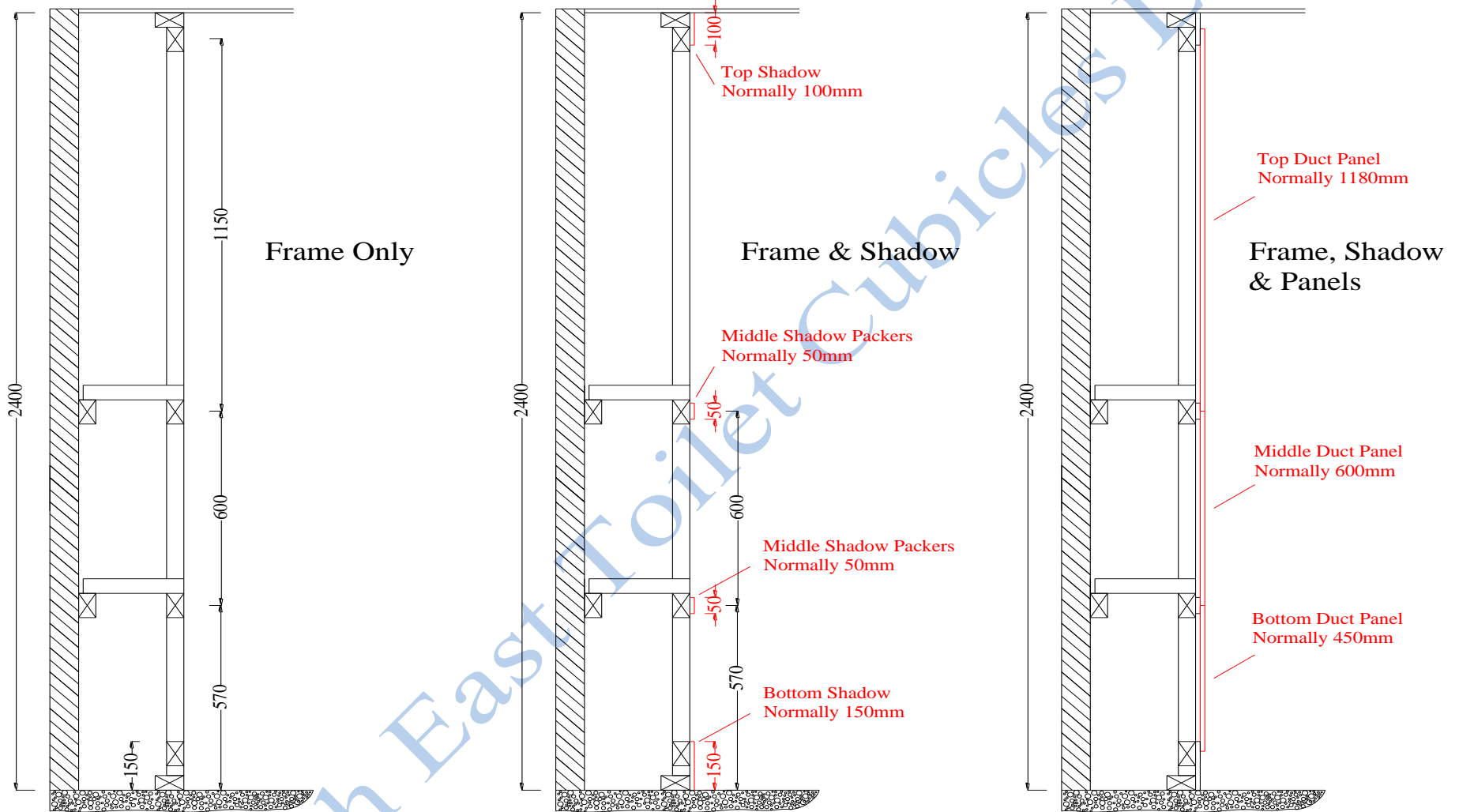
Typical Front Elevation

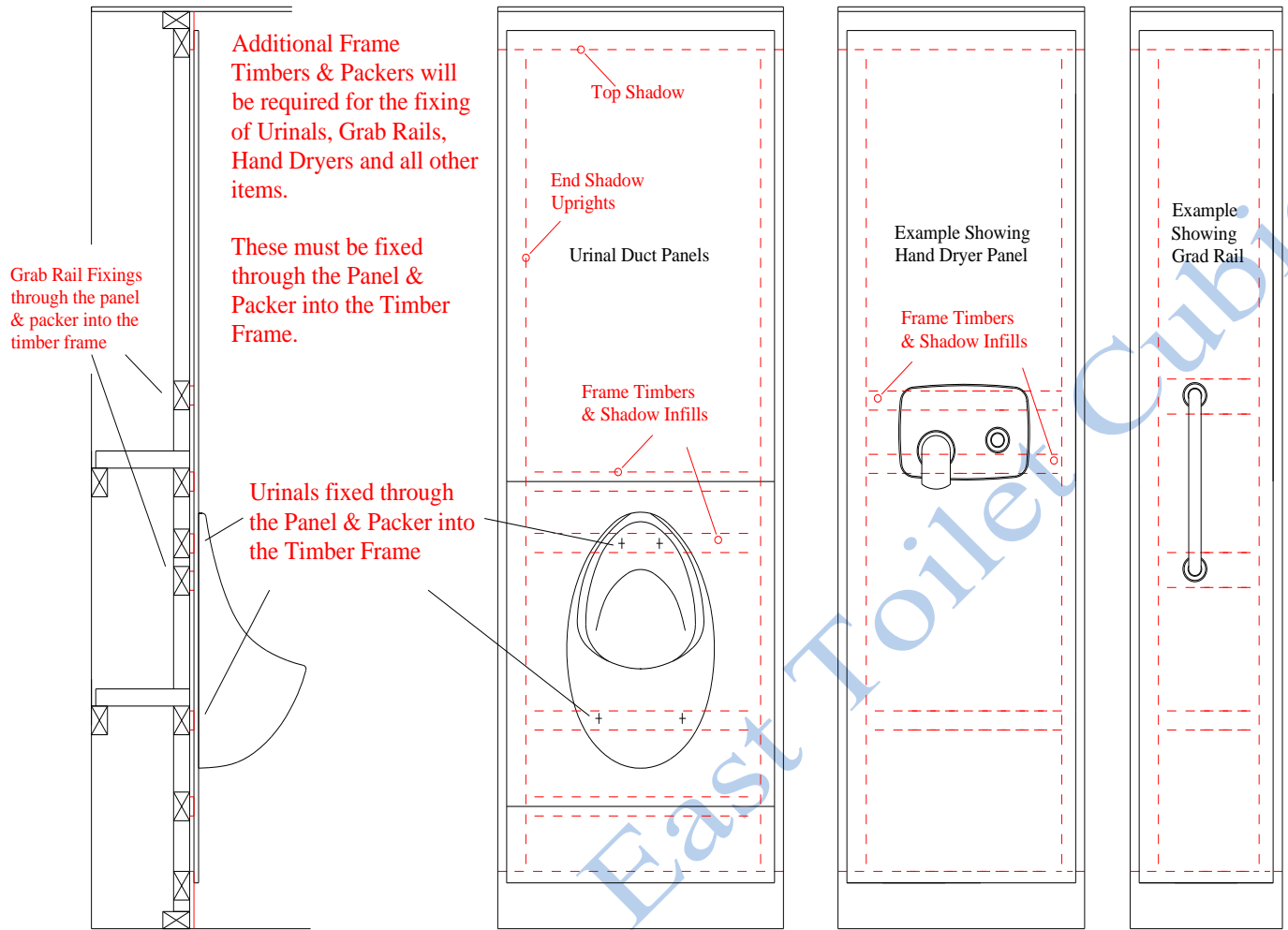


Typical Toilet Area - Frame Plan View



Typical Toilet Frame Cross Section





Fixing Urinals, Grab Rails, Hand Dryers Etc.

Additional Frame Timbers & Shadow Packers will be required to enable these or similar items to be fitted.

Urinal & Grab Rails etc. Fixing Brackets should be fixed to the Timber Frame Only.

Ensure you have the packer between the back of the panel and the frame.

Items should not be fixed to the Duct Panel Only

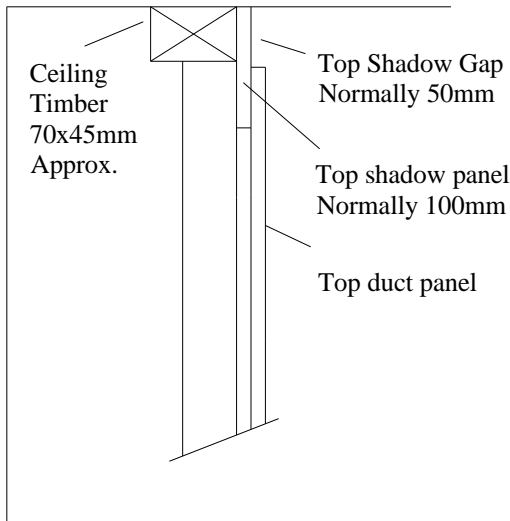
Drill a pilot hole through the Duct Panel and Shadow Packer and Fix the brackets to the frame.

If the Shadow Packer is not in place tightening the fixing brackets will cause the panel will bow.

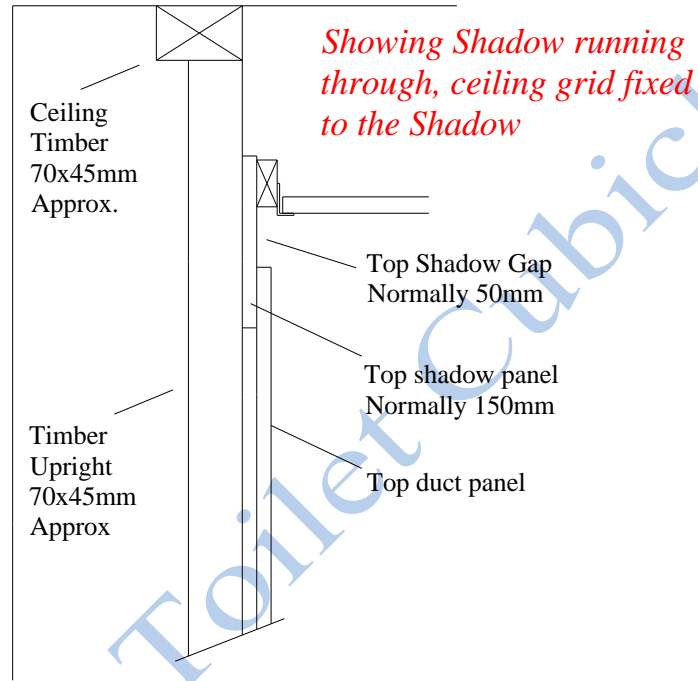
Frame Cross Sections

Ceiling Details

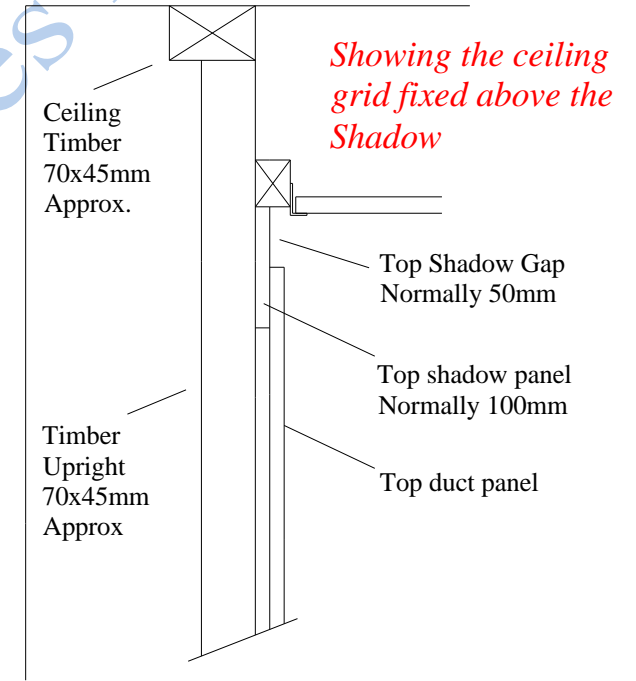
(Drawings Not to Scale)



Standard Ceiling Detail



Suspended Ceiling Detail



Suspended Ceiling Detail

BOTTOM SHADOW MUST BE SEALED AS SHOWN BELOW.

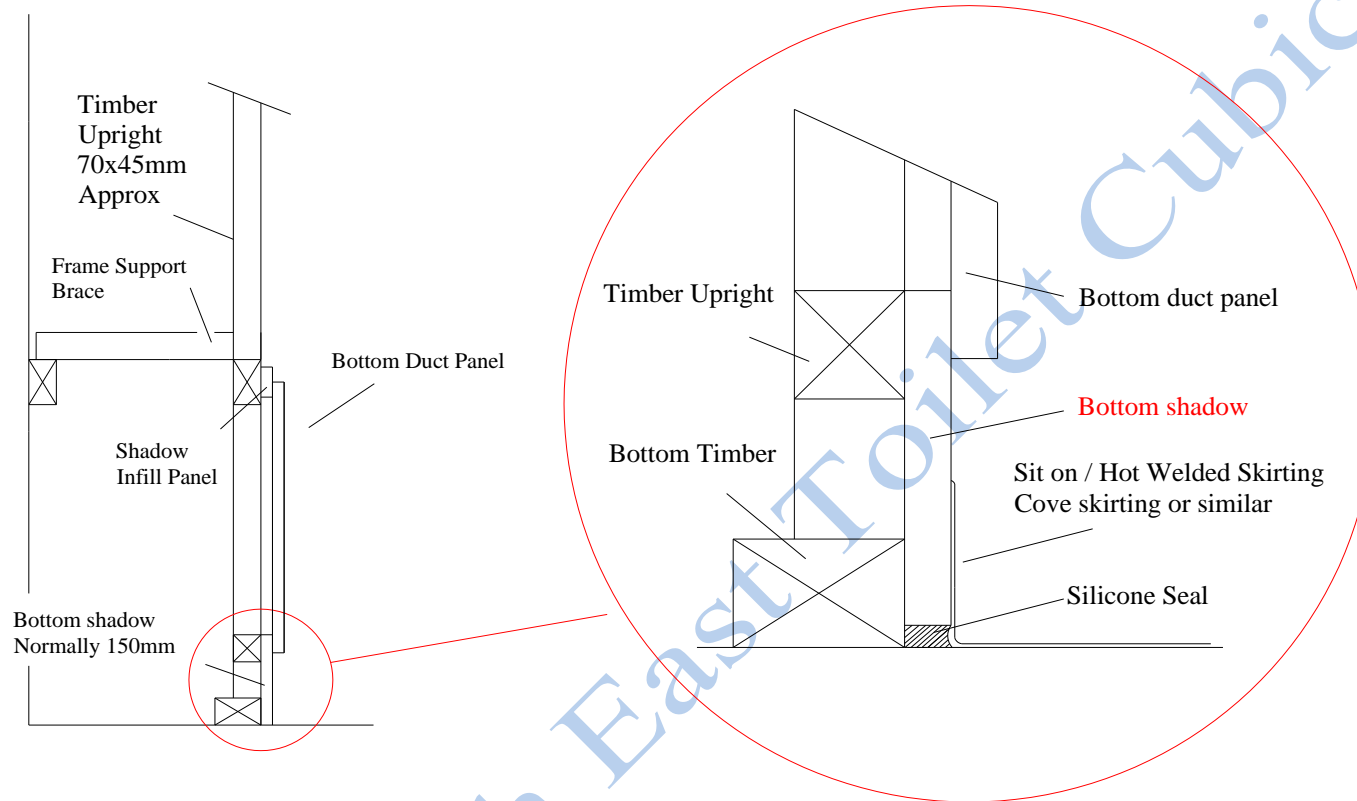
Bottom - Floor Shadow Detail

North East Toilet Cubicles

Bottom shadow supplied in MR MFC must be correctly sealed to the floor, the bottom shadow must then be covered with a secondary waterproof PVC skirting or similar.

Tel: 01429 277500

info@netoiletcubicles.co.uk



MR MFC SHADOW

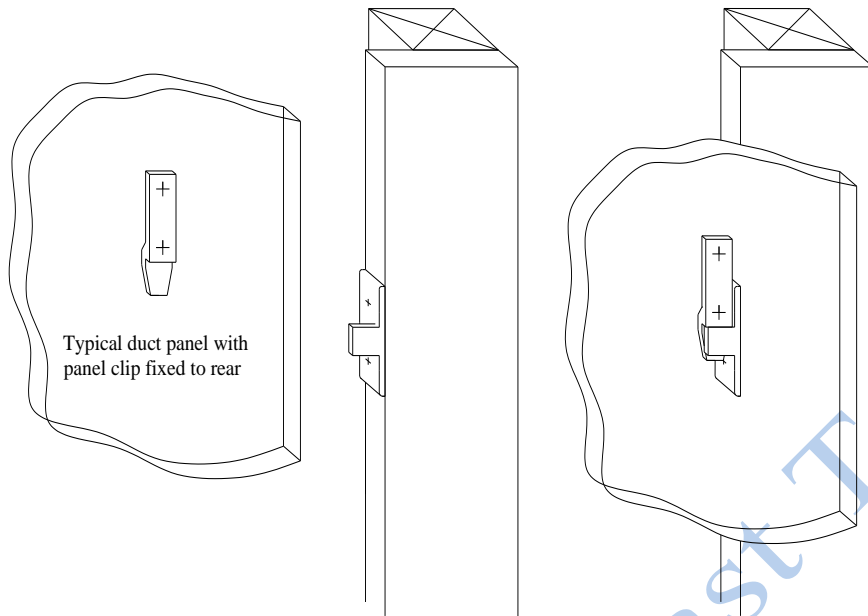
(Olympic Range Board Material)

This arrangement should be followed wherever MR MFC shadow is fitted to the floor i.e. Bottom of WC and Urinal Duct Panels Areas, Vanity Frames etc.

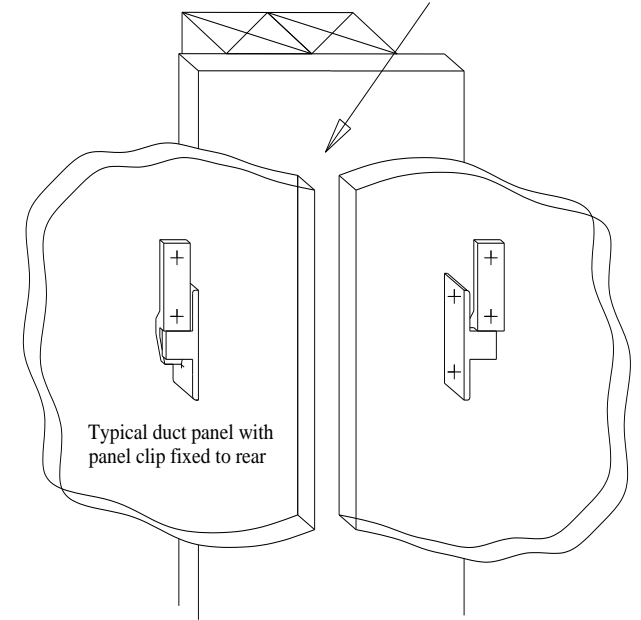
Important Instruction

Panel Clip – Details

Typical drawing showing END / WALL shadow panel & duct panel clip arrangement

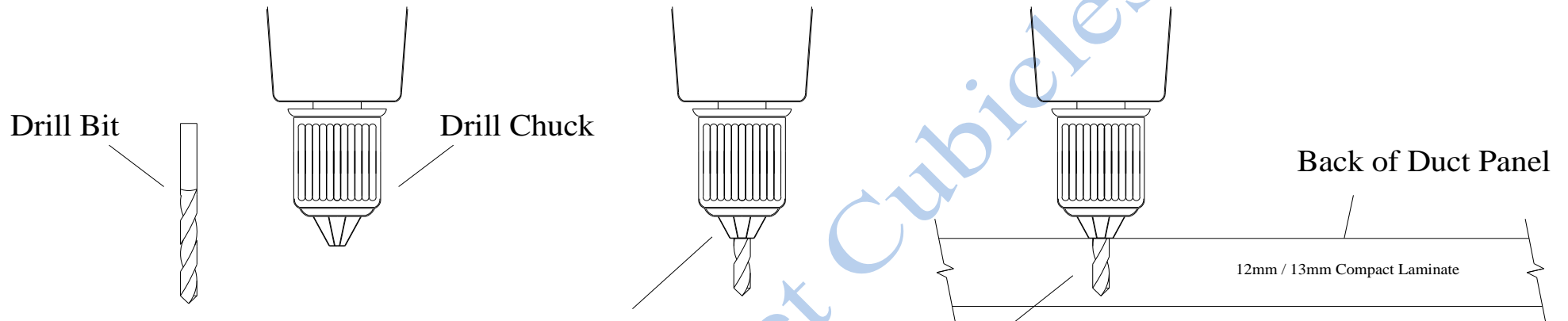


Typical drawing showing MIDDLE shadow panel & duct panel clip arrangement



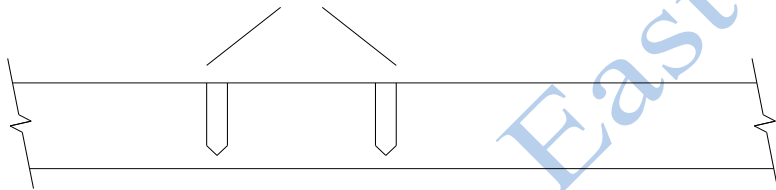
Panel Clip Fixing & Drilling Guide for Warrior Range Duct Panels

12mm / 13mm Solid Grade Compact Laminate

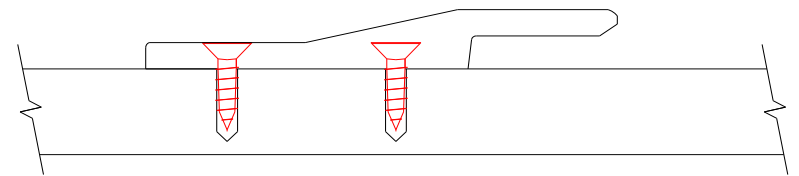


1) Position the drill bit in the chuck.
The drill bit should be deep enough so as not to come through the front of the board

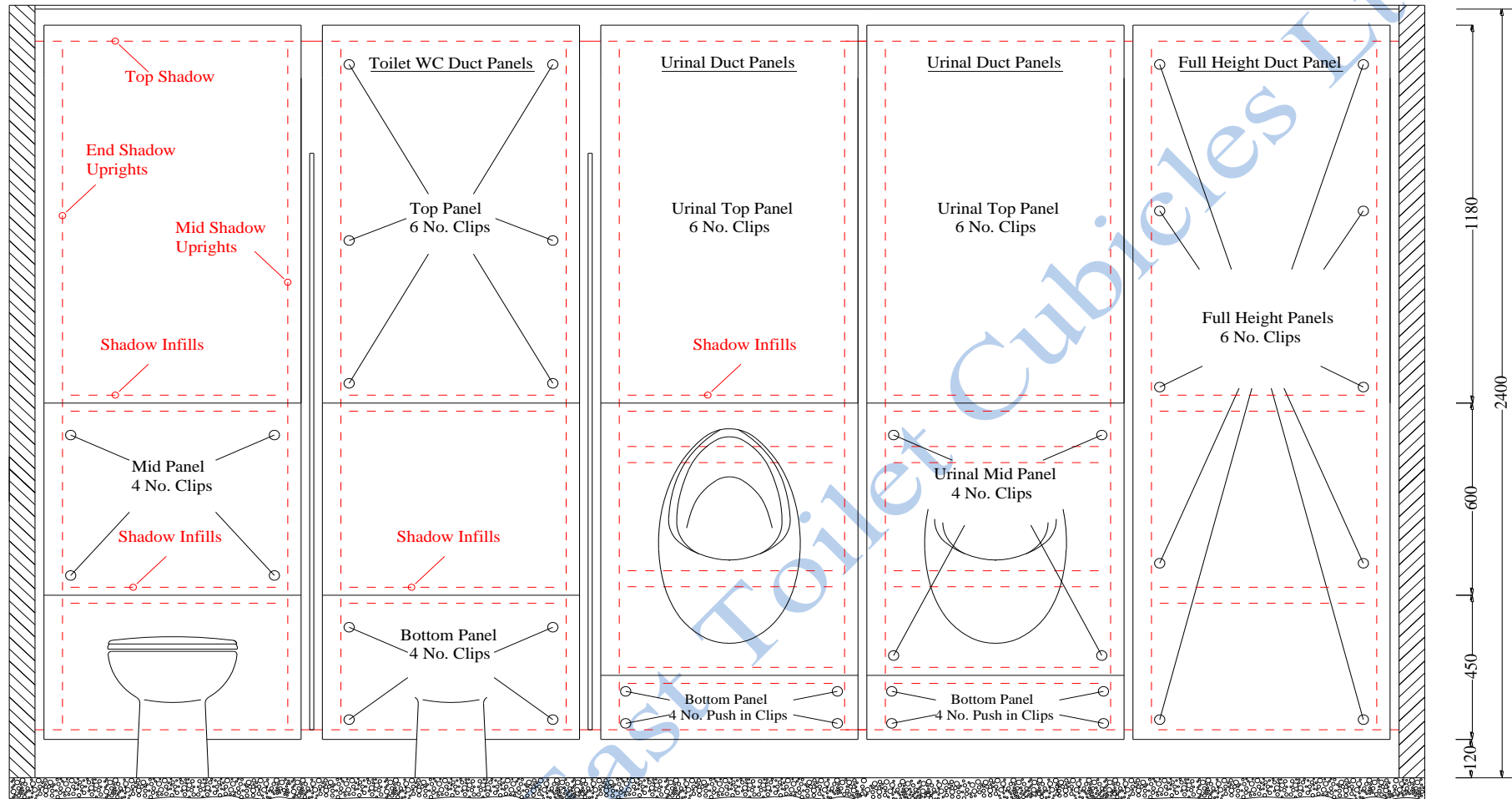
2) Drill pilot holes for the fixing screws



3) Fix the brackets to the board



Position of Panel Clips



Panel Clips should be positioned as close to the top and bottom of the panels as possible to reduce the possibility of the panels moving, cupping or bowing. When positioning the clips to a top panel or panel with a top shadow, make sure you allow enough space so the panel can be lifted off.

As a guide Panels upto 900mm wide

Panels over 850mm to 1400mm in height fixed at low level should be fixed with 6 No Panel Clips. Panels over 1400mm in height should be fixed with 8 / 10 No Panel Clips depending on size. Panels over 900mm wide should be fitted with additional clips