

Warrior Range Cubicle Specification / Information

Our Warrior Range is a Standard Height Cubicle System, designed and manufactured to fit your site dimensions and specific requirements.

This Cubicle Range is Waterproof, extremely strong and suitable for demanding wet and dry areas.

We understand Everyone's Project is individual be it Sizes and/or Colours

We will design it to fit....!

Standard Height Cubicles – Panels are 1800mm, Ground Clearance 150mm

Doors – Based on a Standard Door opening of 580mm, door size is 620mm x 1800mm (W x H)

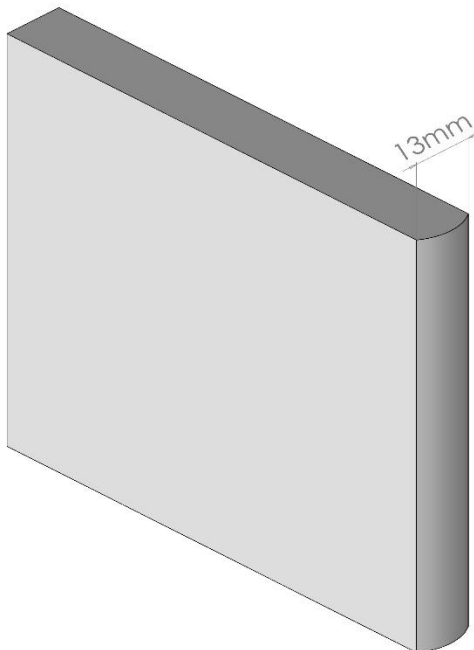
Dividers – Standard Size 1500mm x 1800mm (W x H)

None Standard

Doors / Door Openings – We design and manufacture to your overall site sizes, this means your layout may require SMALL DOORS or BIG DOORS. The same for Dividers, we can supply Dividers to any size (depending on colour & originating sheet size).

Pilaster sizes are manufactured to fit, these can be increased to create a smaller opening and door or reduced to create a bigger door opening and door.

Mid Pilasters normally have the divider to the middle, however, if required dividers can be offset to move the door to one side or the other. *We will design it to fit....!*



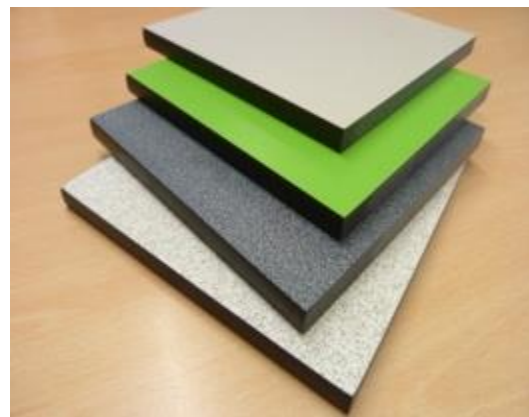
Warrior Range Cubicles

Resin Impregnated Solid Core Board

Waterproof & Extremely Durable

USAGE

Suitable for High Volume Demanding
Environments both Wet & Dry





Warrior Range Cubicle Specification / Information



Horizontal Woodgrain Doors & Dividers ~ Dark Grey Pilasters & Rear Duct ~ Black Speckle Shadow

Gents ~ Orange / Black Speckle Combination

Ladies ~ Green & Dark Grey Speckle Combination



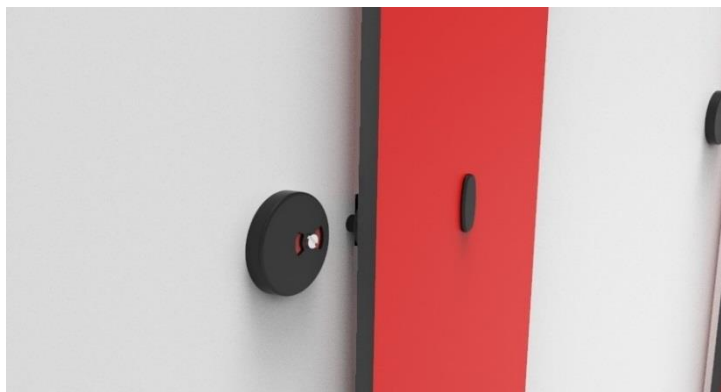
WE WILL take the strain out of your project ~ Contact our Sales Team 01429 277500 – 272084

Delivering Toilet Cubicle Solutions Nationwide, Daily. CALL US TODAY

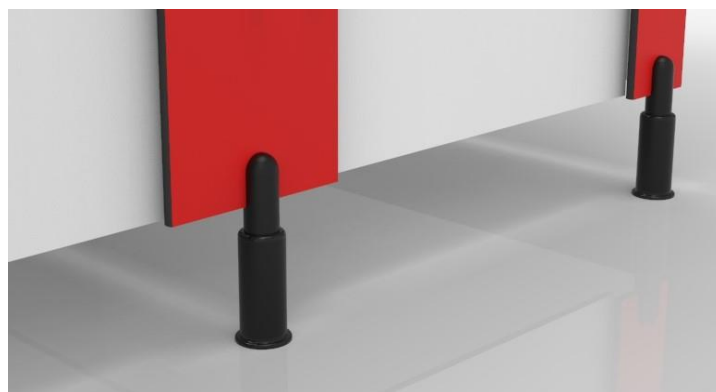
Warrior Range Cubicle Specification / Information

Cubicle Furniture

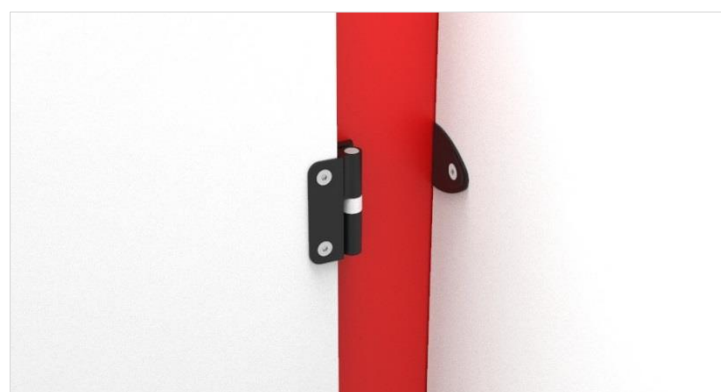
All orders / quotes include the relevant Cubicle Furniture



Locks / Indicator Bolts with concealed secure fixings, standard with inward opening keep.



Adjustable Height Cubicle Legs with adjustment of – 20mm or + 10mm



Hinges, as standard we supply two hinges per door, wider doors are supplied with three hinges as deemed necessary.

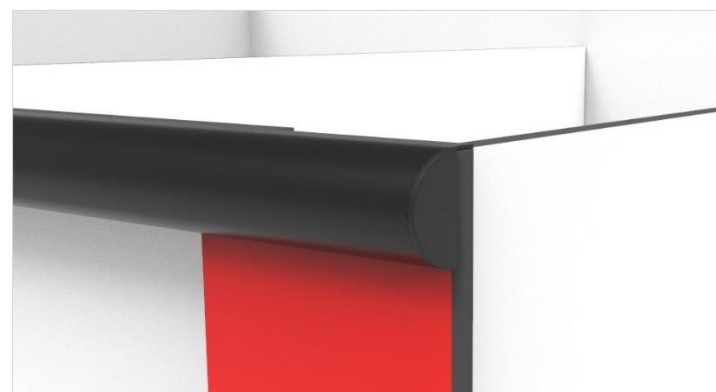
Hinges are a rise and fall type and can be set to either fall closed (door in closed position) fall open (door in the open position so you can see the cubicle is not in use) or to fall mid way between.

This adjustment can be done on site to your preference.

Hinges are Anti Finger Trap design.



Pilaster Fixed Brackets and Hinges have a decorative capping.



Shaped Headrail and End Cap.

As Standard Furniture is supplied in a Black Textured Finish, Silver / Light Grey is on request

WE WILL take the strain out of your project ~ Contact our Sales Team 01429 277500 – 272084

Delivering Toilet Cubicle Solutions Nationwide, Daily. CALL US TODAY

Warrior Range Cubicle Specification / Information

Simply provide us with your overall sizes, **WE WILL DESIGN IT TO FIT.**

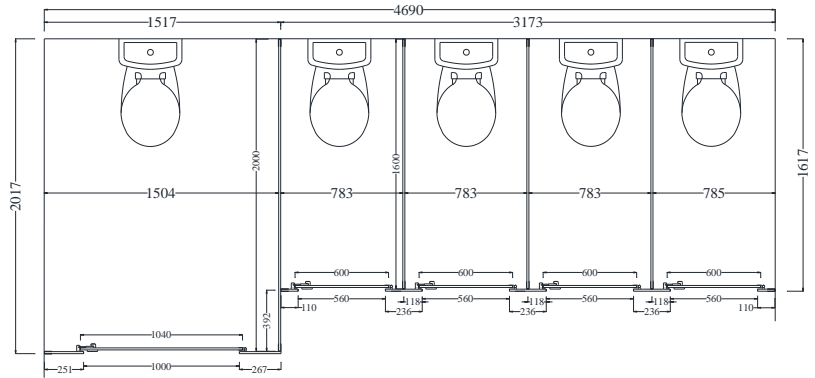
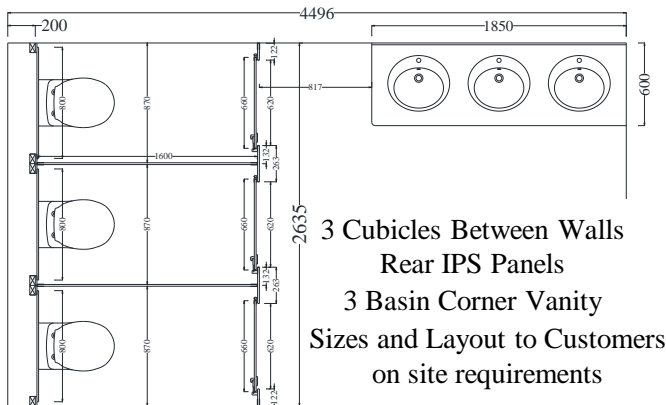
CAD Drawings with your order.

Detailed drawings are issued allowing Customers to check all aspects of the proposed works are correct.

Drawings will show sizes, hand/swing of doors colours etc. Drawing revisions are issued if required.

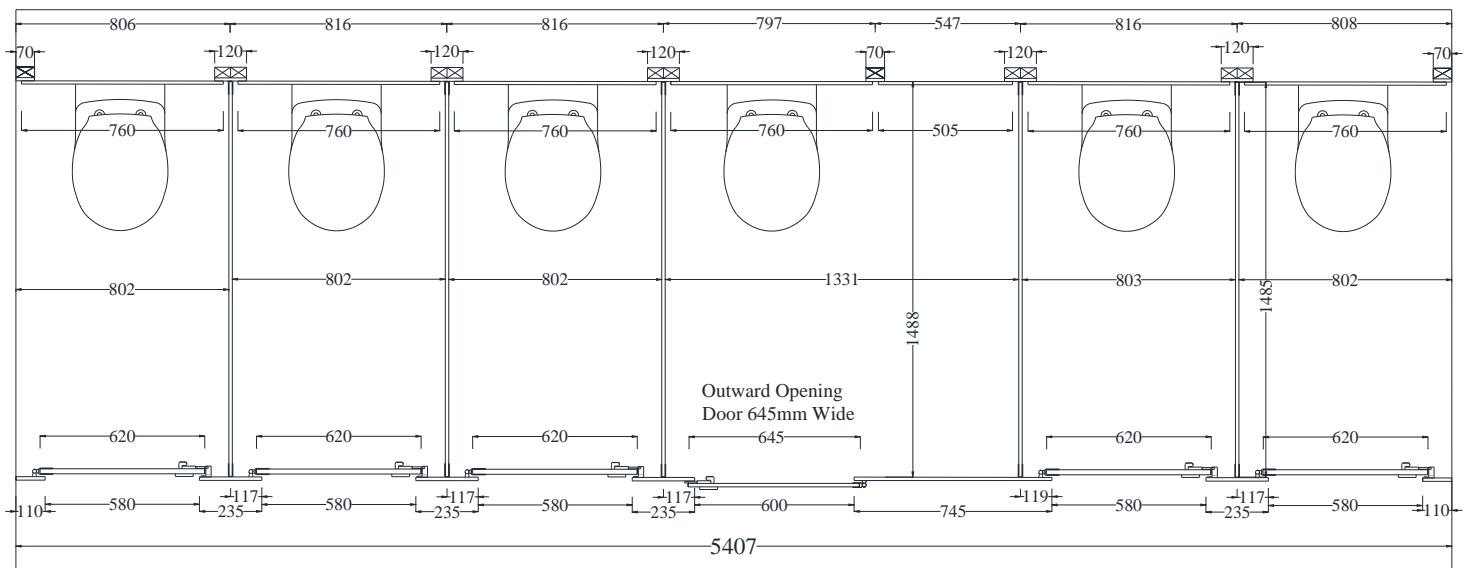
Once you are happy a confirmation or acceptance email is required prior to manufacture.

Example Drawings Below



Above ~ 5 Cubicles Between Walls – Including Enlarged Cubicle
Overall Sizes and Layout to Customers on site requirements

Below ~ 6 Cubicles Between Walls – Including Enlarged Cubicle + Rear IPS Panels, spacings for IPS Timber Frames
Overall Sizes and Layout to Customers on site requirements



WE WILL take the strain out of your project ~ Contact our Sales Team 01429 277500 – 272084

Delivering Toilet Cubicle Solutions Nationwide, Daily. CALL US TODAY



Warrior Range Cubicle Specification / Information

WARRIOR RANGE	
Board Material	12mm / 13mm Compact Laminate (also known as Solid Grade Laminate - SGL)
	Resin Impregnated Solid Core ~ Totally Impervious to Water.
Edging	All Panels have a Solid Black Core.
	Visible Edges are Machined to a Slight Radius and then Polished.
Cubicle Panels	Doors, Dividers & Pilasters are Manufactured from 12mm / 13mm Compact Laminate.
Cubicle Panel Sizes	As Standard - Doors, Dividers & Pilasters are Manufactured 1800mm in Height.
	As Standard - Door Openings Range Between 580mm and 620mm. Doors are 40mm bigger allowing 20mm Overhang to both the Hinge and Clashing Side.
	As Standard - Dividers are 1500mm Deep, Larger Dividers are available but Colour Choices are limited due to Sheet Sizes.
Pre-Drilled Panels	Doors are Pre-Drilled for Locks & Hinges
	Dividers are Pre-Drilled for Pilaster Fixing Brackets
	Pilasters are Pre-Drilled for Hinges & Divider Fixings Brackets.
	Legs are Pre-Drilled to Pilasters not the Dividers
Ground Clearance	Cubicle Legs and Panels are supplied to give a Ground Clearance of 150mm
Furniture	Cubicle Hardware is Manufactured from Aluminium - Finish Black Textured Matt
Environment	Suitable for Demanding Environments both Wet and Dry or that may be subject to Long Term Exposure to Moisture.
	Totally Impervious to Water makes this Range suitable for Shower Cubicles and Wet Rooms.
Usages *	Toilet and Shower Cubicles
	W/C Duct & Urinal Duct Panels.
	Vanity Duct Panels and Shadow Panels.

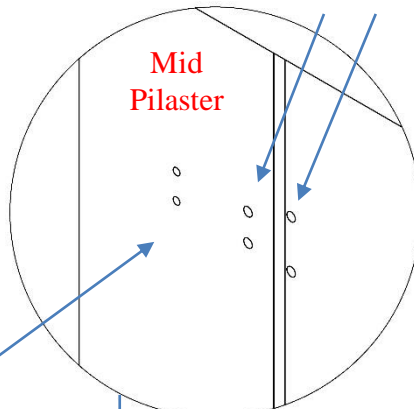
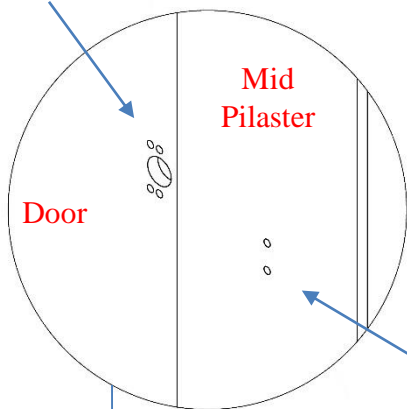
* The buyer is responsible for ensuring products purchased is suitable for its intended environment.

Easy to Fit on Site

Our Warrior Range of Cubicles are Manufactured and pre-drilled where possible to save you valuable installation time and for easy fitting on site.

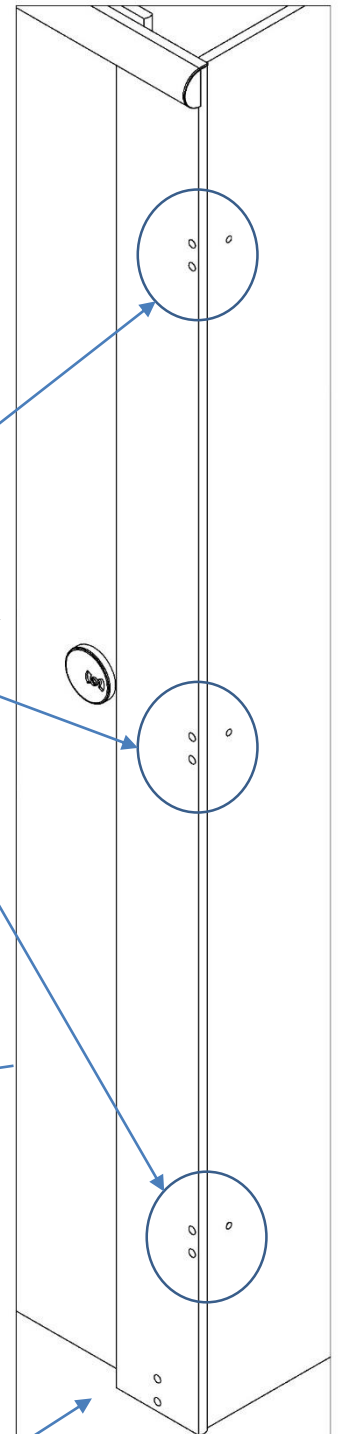
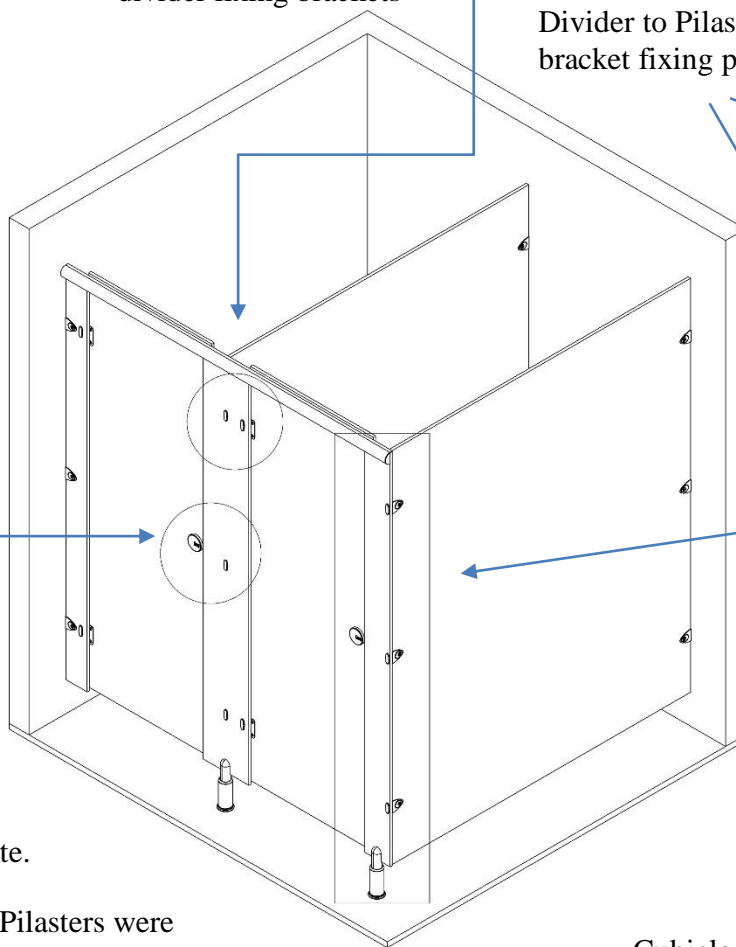
Doors are drilled for hinges and cubicle lock

Pilasters Hinge & Door Hinges drilled



Pilasters are drilled for divider fixing brackets

Divider to Pilasters bracket fixing pre-drilled



Cubicle Legs, located to the Pilasters are pre-drilled

NOT DRILLED

Wall connecting panels are not drilled, this is to allow for levelling on site.

Dividers and Wall End Pilasters where they fix to the wall will need to be drilled on site.

A 10mm or 11mm HSS or Cobalt drill bit is required.

WE WILL take the strain out of your project ~ Contact our Sales Team 01429 277500 – 272084

Delivering Toilet Cubicle Solutions Nationwide, Daily. CALL US TODAY