

Post Formed HPL Vanity - Typical Frame Drawings - Details

Shown with 18/19mm Duct and Shadow panels, may be supplied with SGL for to match Warrior range.

Semi-Countertop

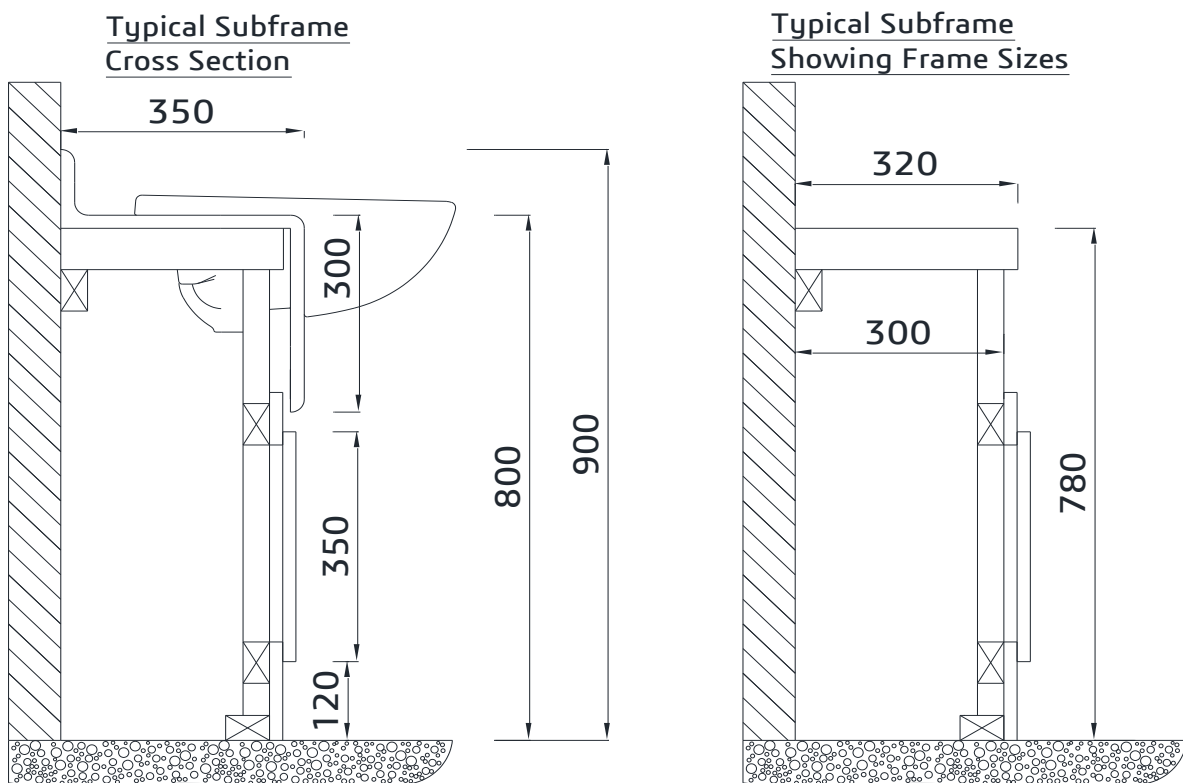
The following drawings are provided as a guide only.

Frame cross section drawings are based on a Vanity 1250mm Long x 350mm deep x 800mm high using 3X2 CLS.

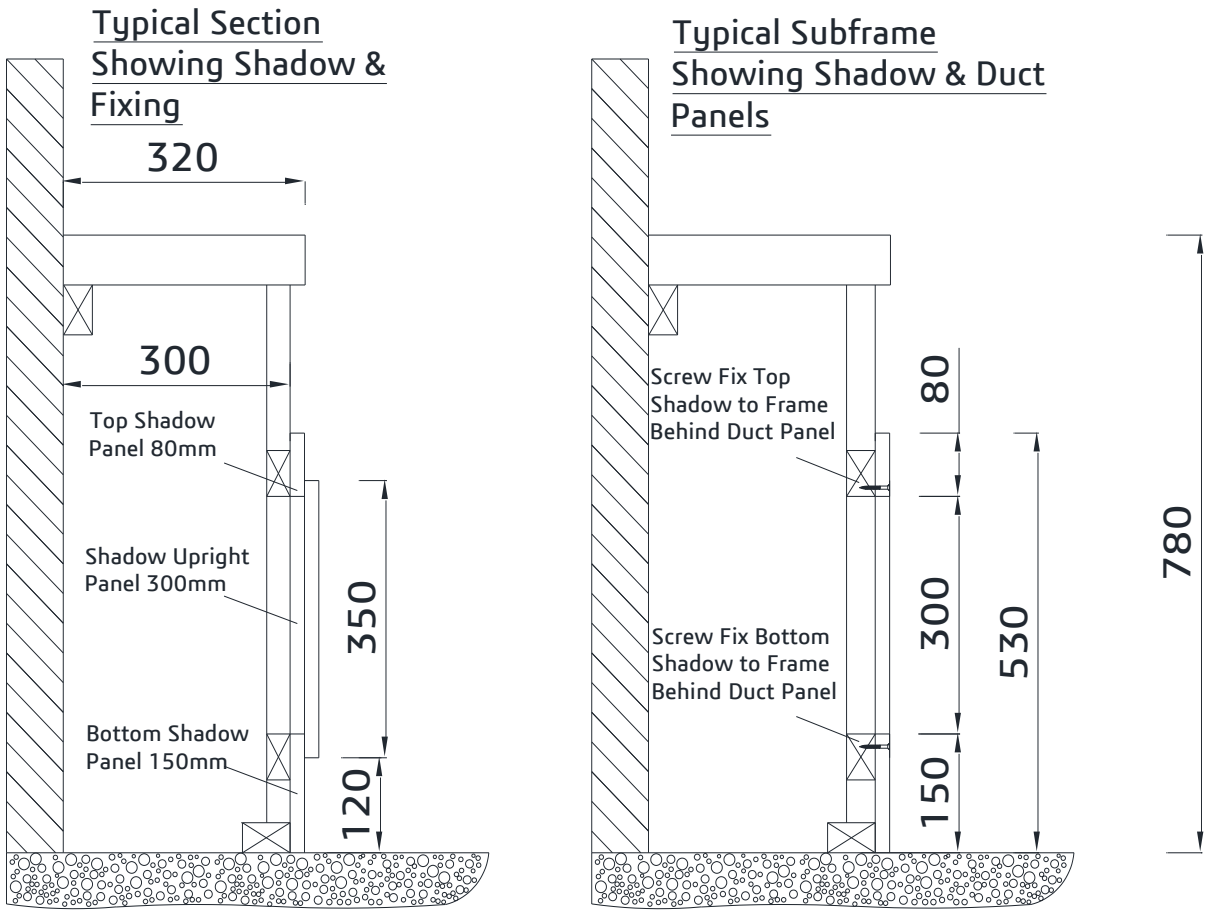
Top of frame needs to be 30mm less than the top for each finished end (island vanity would require 60mm shorter than the top).

Bottom of frame needs to be 74mm less than the top for each finished end (island vanity would require 148mm shorter frame).

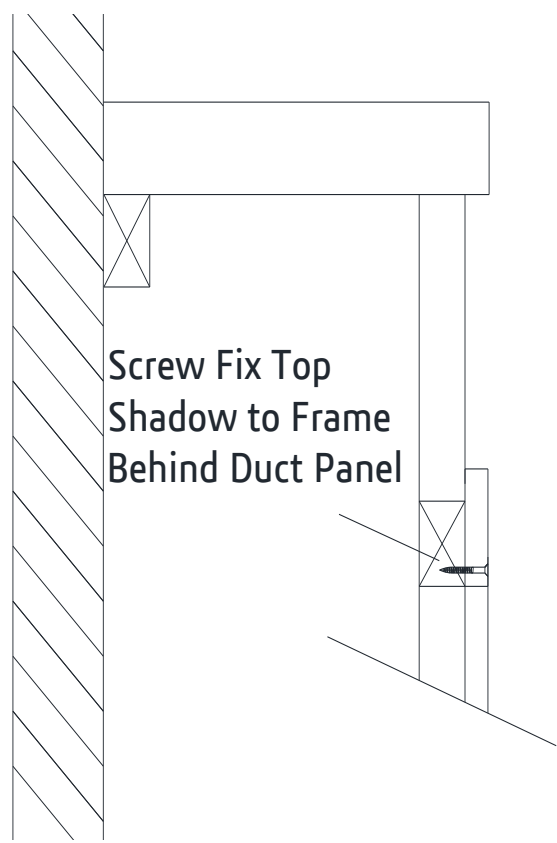
Note - Frame sizes will change when different depths and/or heights are supplied, frame modifications may also need to be made to suit waste/soil pipes, plumbing or drains etc.

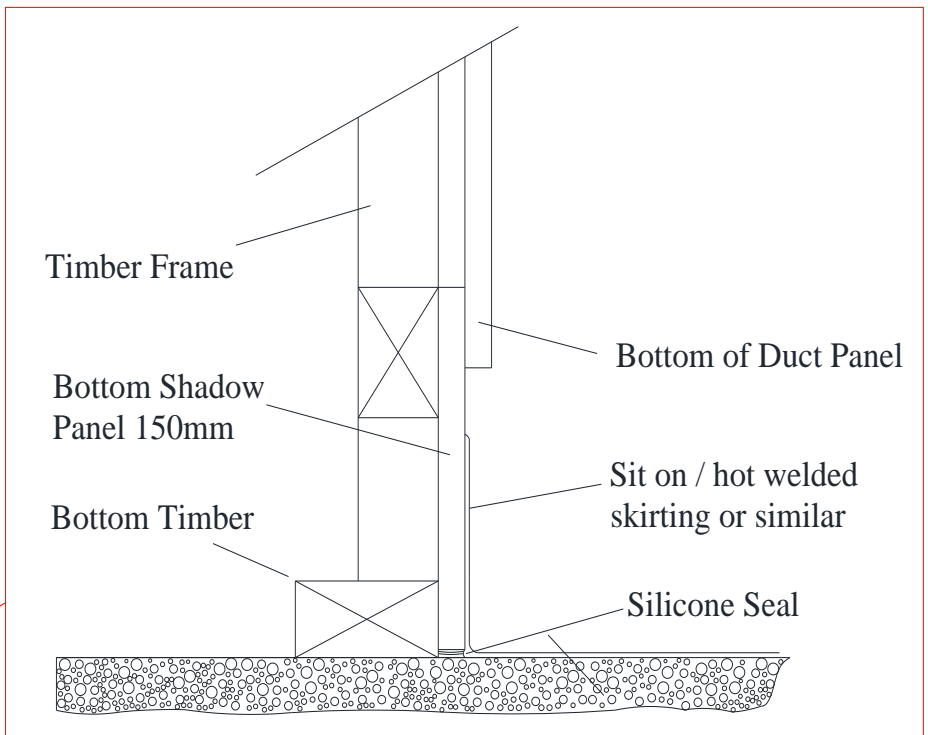
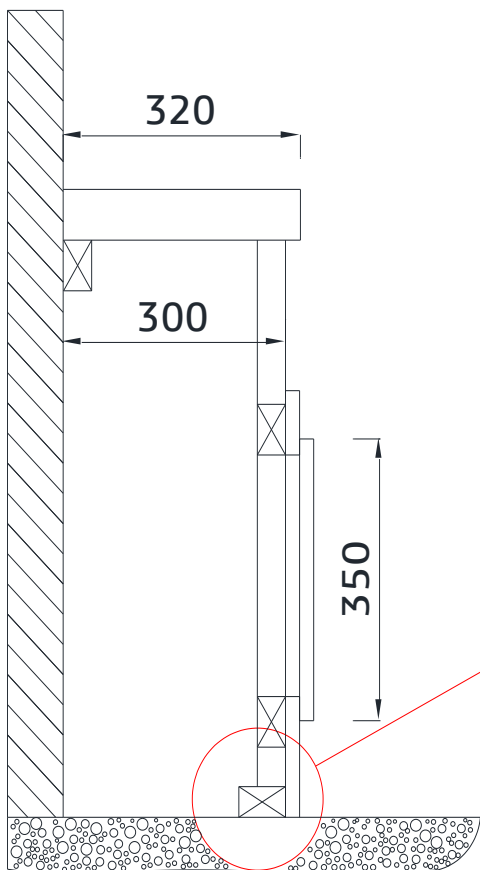
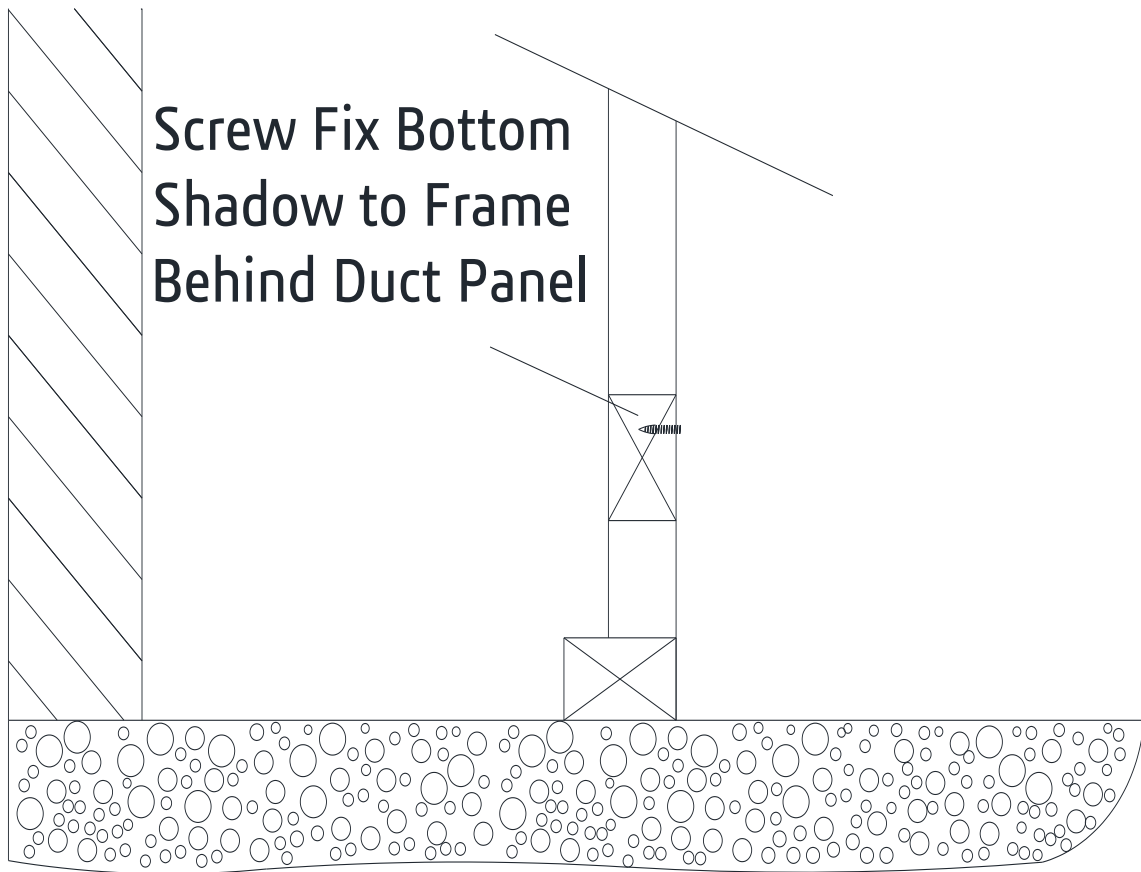


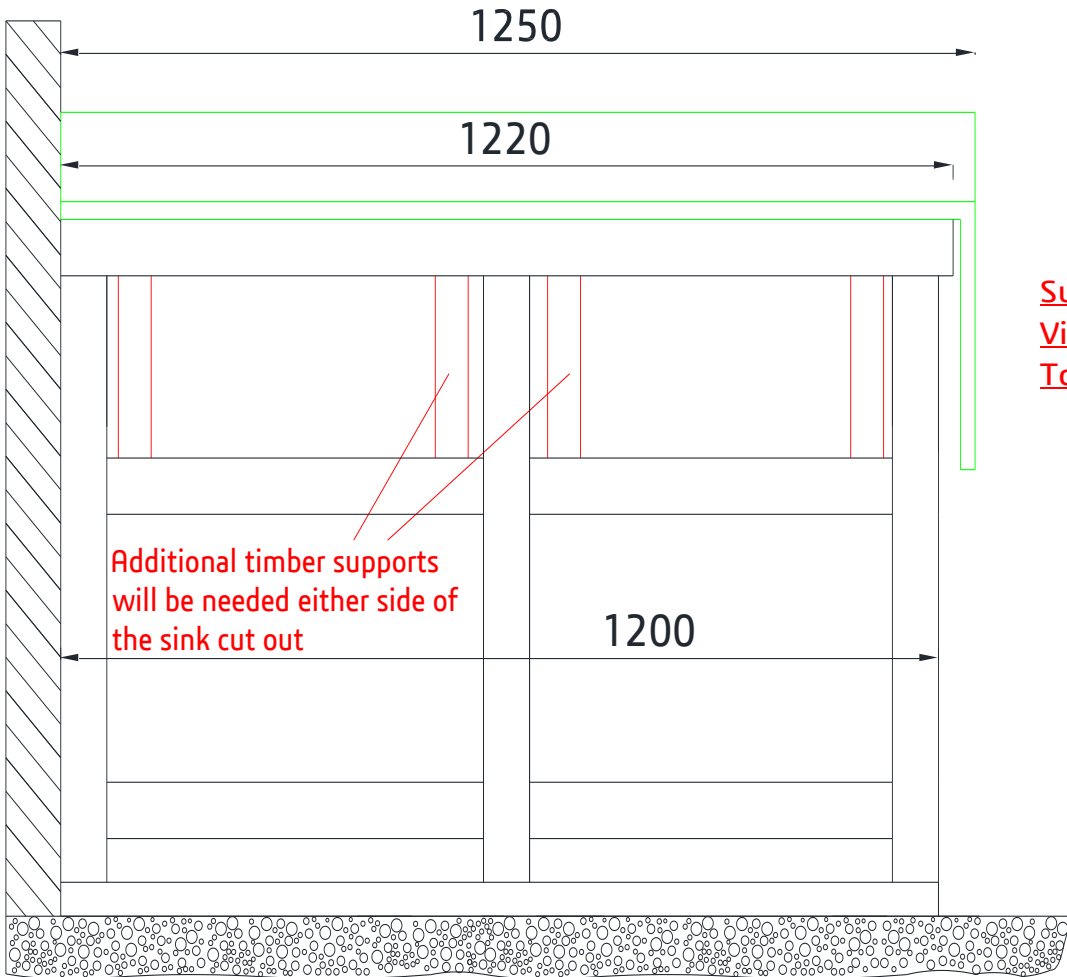
Information Provided for Guidance Only



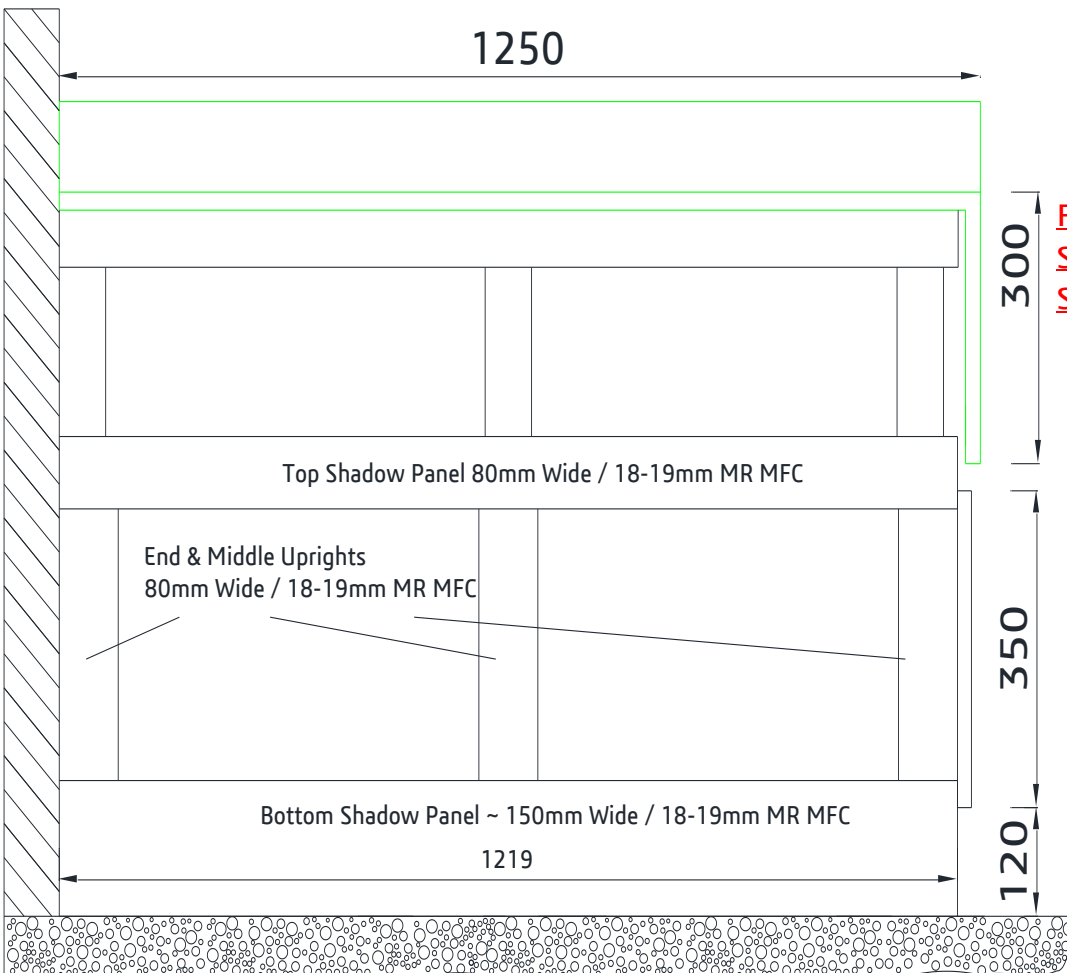
Information Provided for Guidance Only



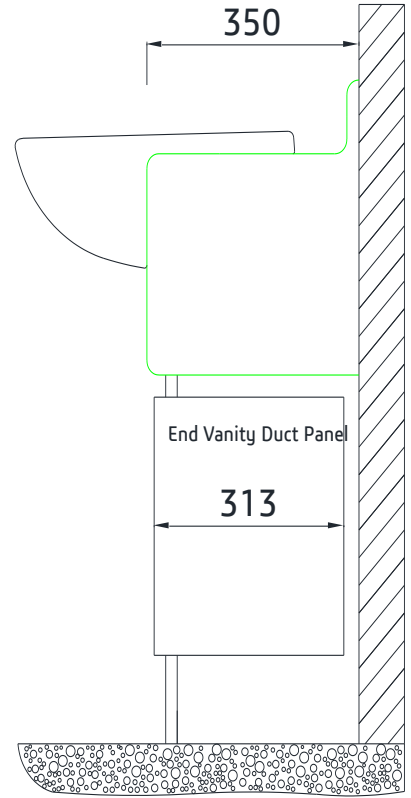
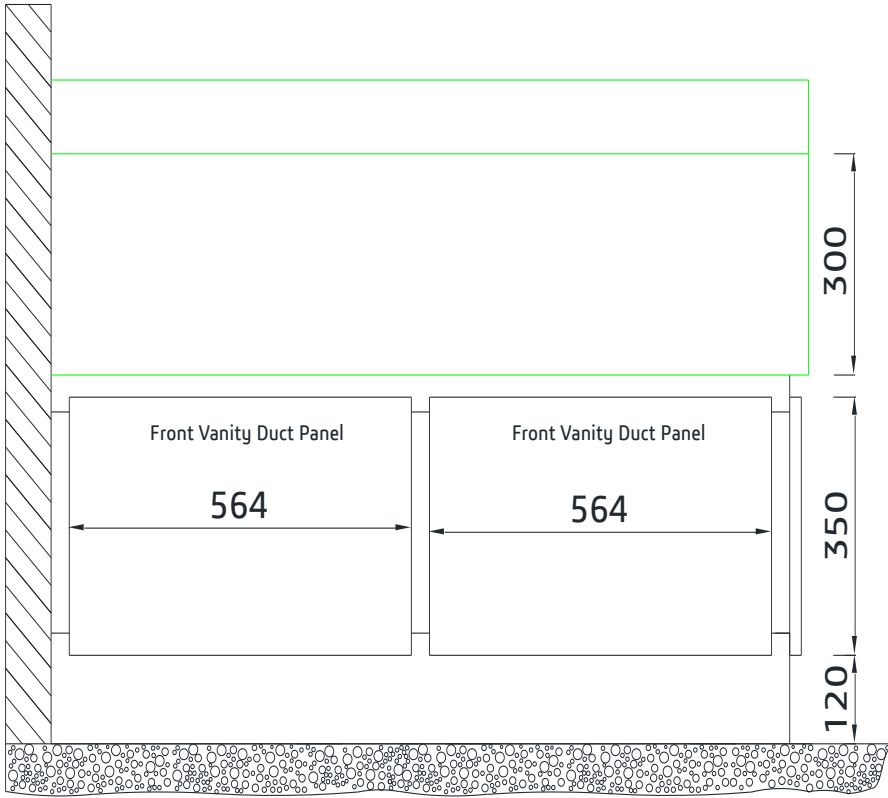




Subframe Frame (Front View) 1250mm Long - Top Shown in Green

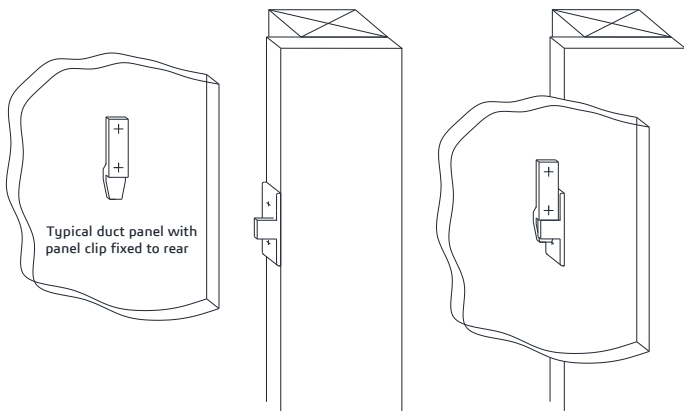


Front View Showing Subframe with Front Shadow

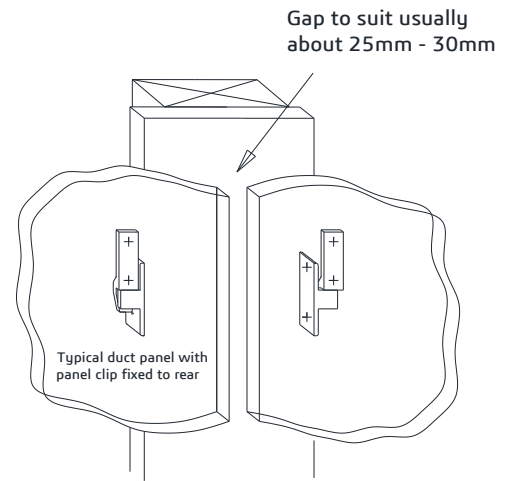


Panel Clip - Details

Typical drawing showing END / WALL shadow panel & duct panel clip arrangement



Typical drawing showing MIDDLE shadow panel & duct panel clip arrangement



Important information if Solid Grade Compact Laminate is supplied

PANEL CLIPS ~ 'L' BRACKETS ~ LOCK KEEPS ETC.

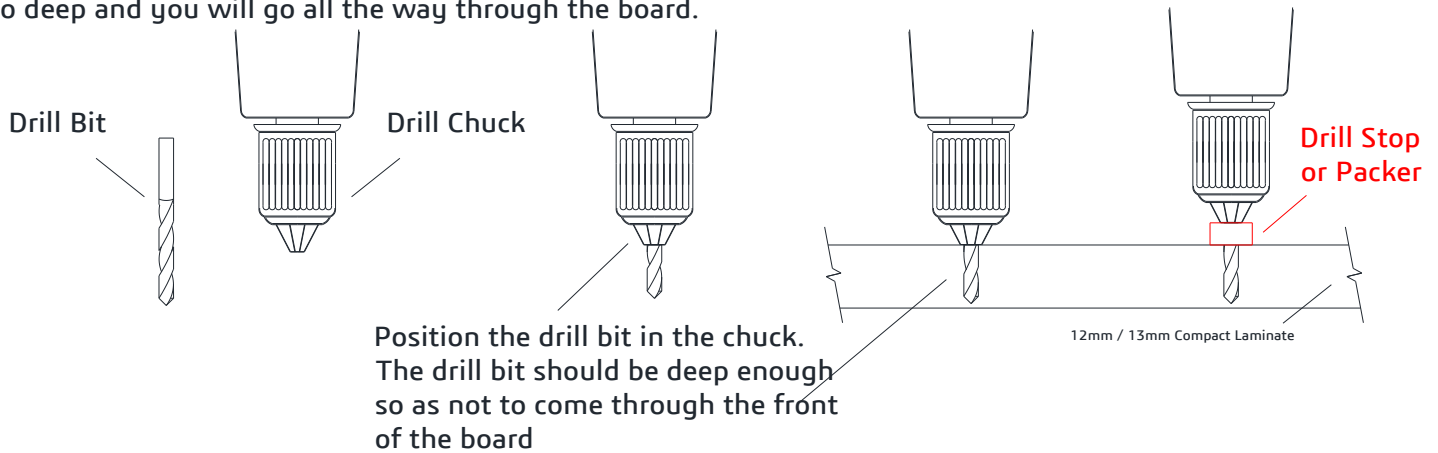
PILOT DRILLING FOR 12mm / 13mm SOLID GRADE COMPACT LAMINATE

Position the drill bit in the drill chuck so that it is not sticking out further than the thickness of the board material

If required you should use a drill stop / packer

It is important to drill the hole to the correct depth.

Too short and you will break out the front of the board or round out the threads on the hole
Too deep and you will go all the way through the board.



DO NOT DRILL ALL THE WAY THROUGH THE BOARD

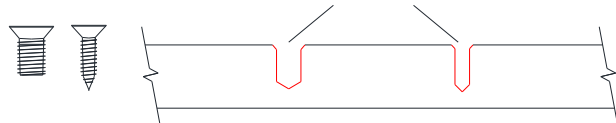
Correct Hole Depth

Holes also require a slight countersink to the top

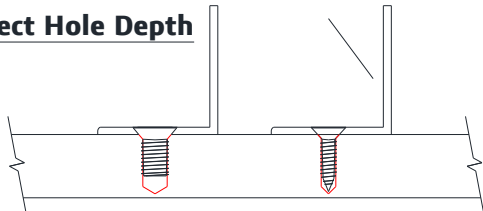


Lock Keep Shown as an example

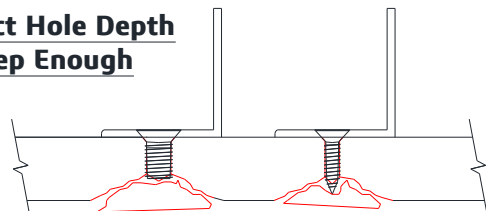
Incorrect Hole Depth - Not Deep Enough



Correct Hole Depth

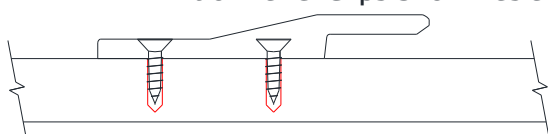


Incorrect Hole Depth Not Deep Enough



Correct Hole Depth

Lift of Panel Clips Shown as an example



If the holes are not drilled deep enough the fixings will break the front of the board

DO NOT DRILL ALL THE WAY THROUGH THE BOARD