

# North East Toilet Cubicles Ltd.

Tel: 01429 277500

Email: info@netoiletcubicles.co.uk



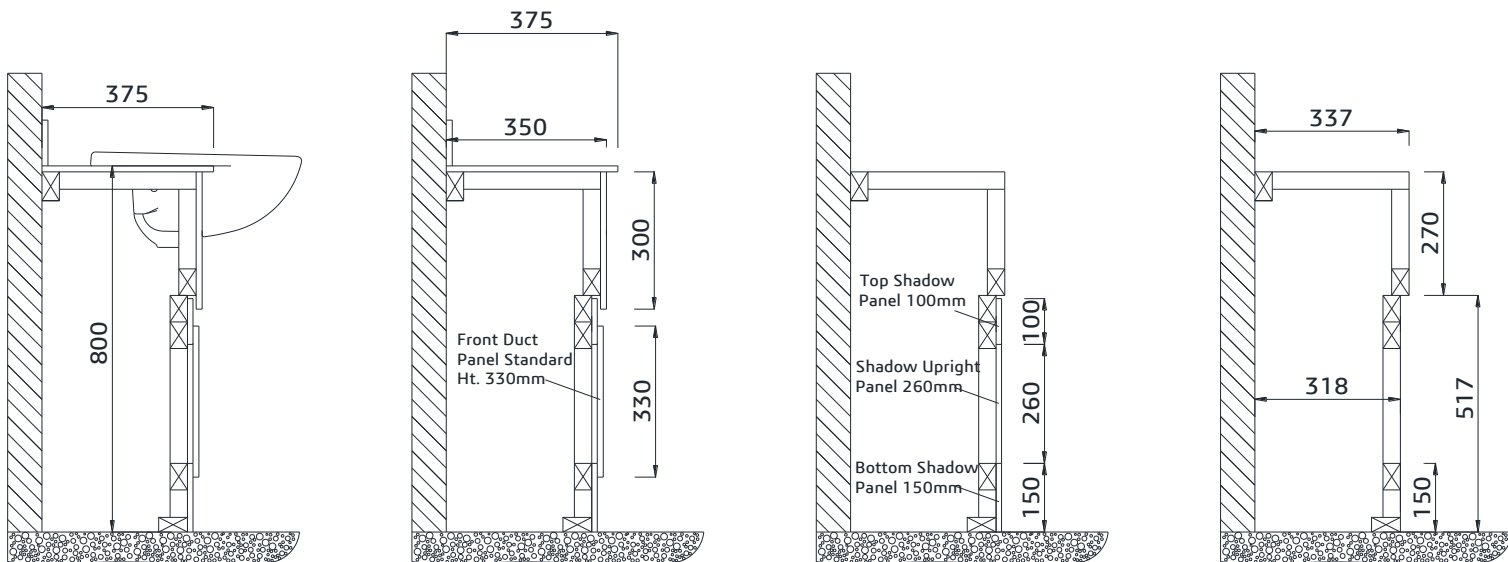
## Compact Flat Panel Vanity - Typical Frame Drawings - Details

### Semi-Countertop

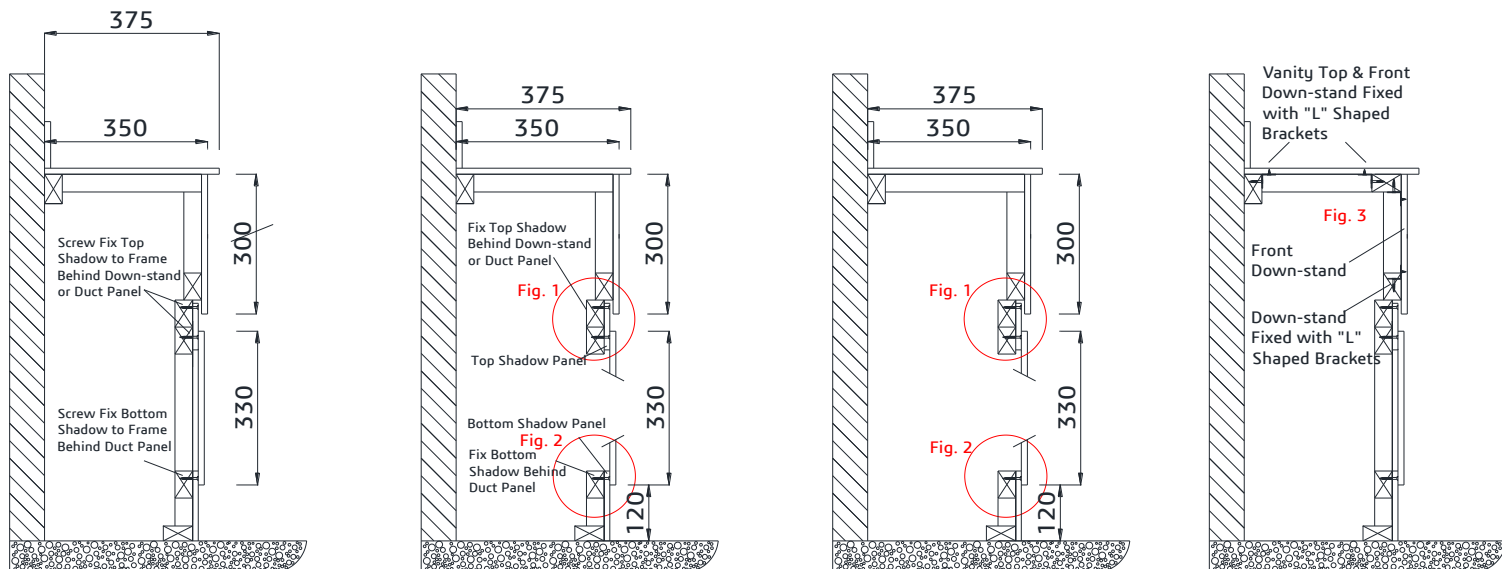
The following drawings are provided as a guide only.

Frame cross section drawings are based on a Vanity 375mm deep x 800mm high using 3X2 CLS.

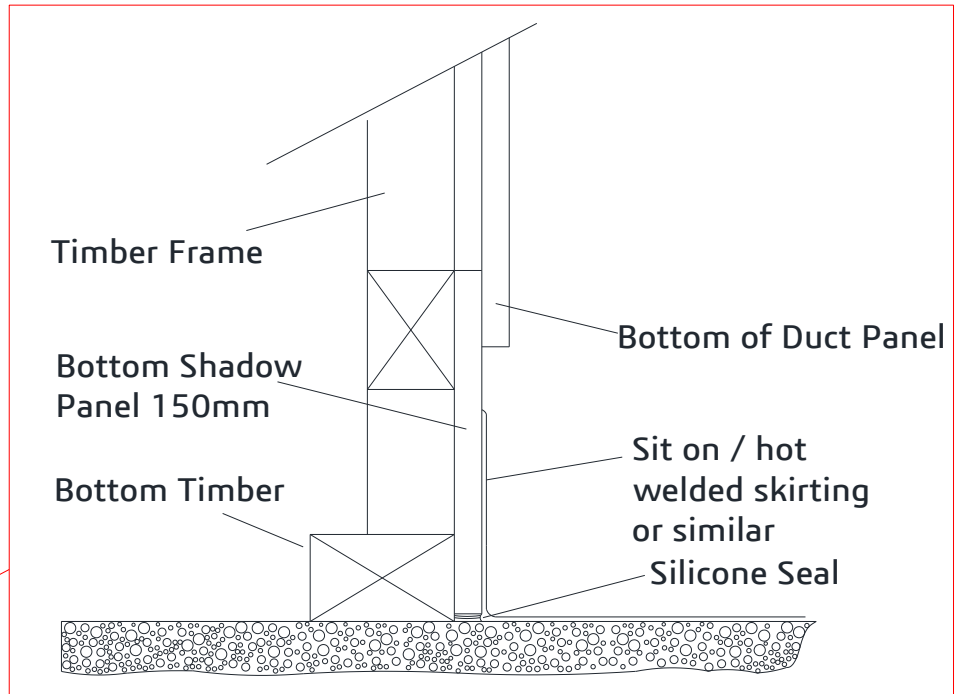
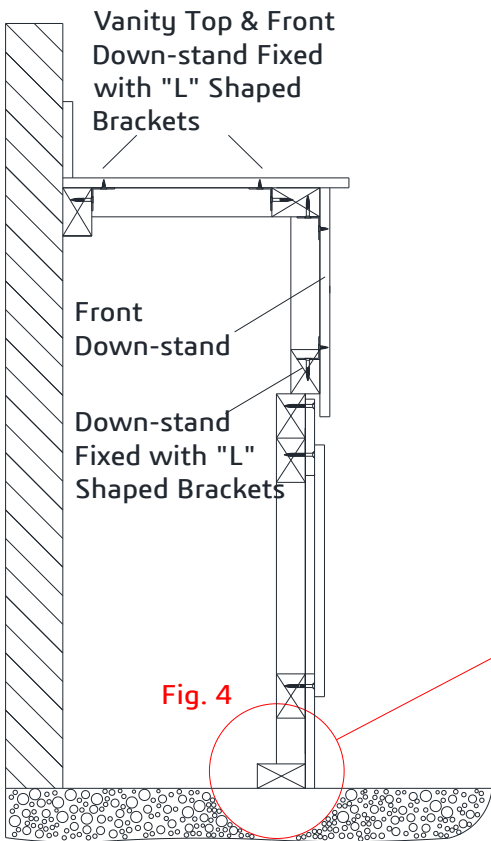
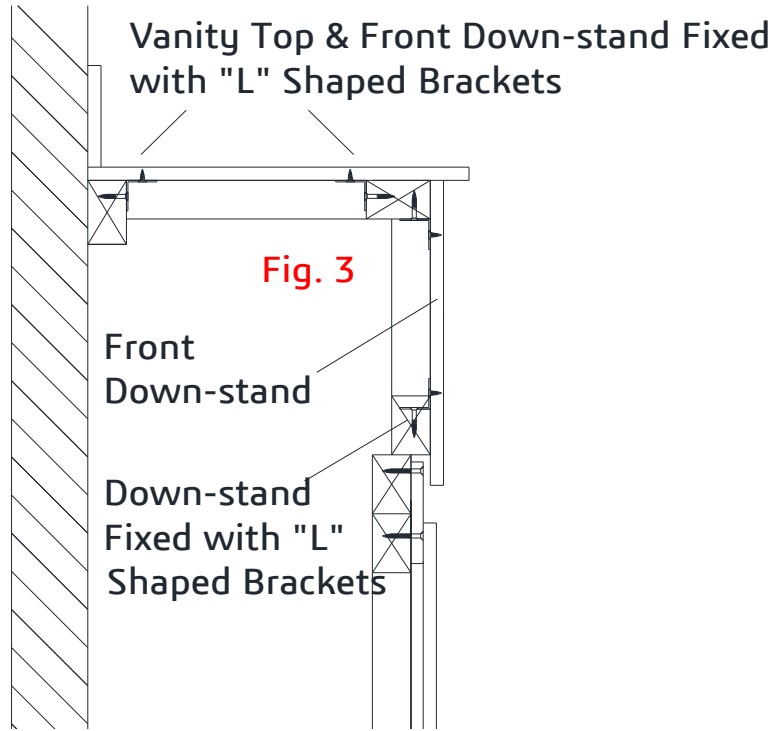
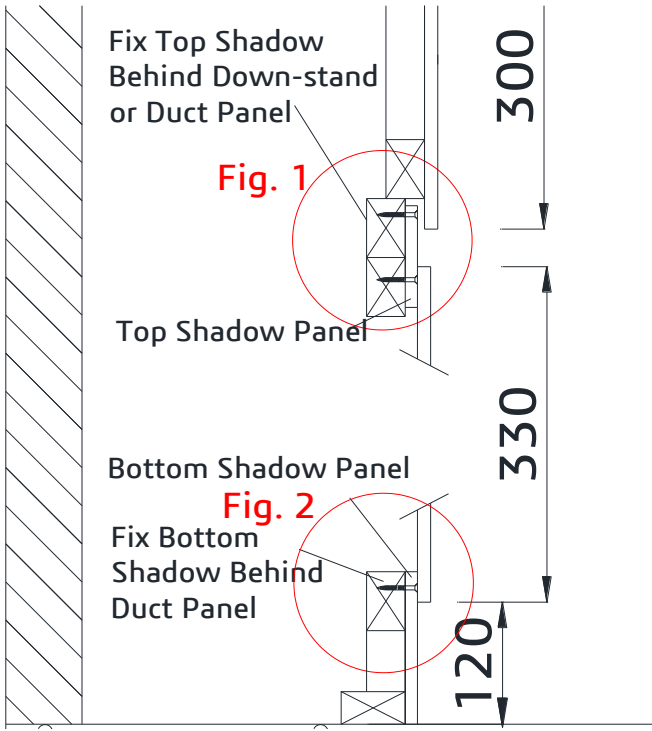
Note - Frame sizes will change when different depths and/or heights are supplied, frame modifications may also need to be made to suit waste/soil pipes, plumbing or drains etc.



### Information Provided for Guidance Only

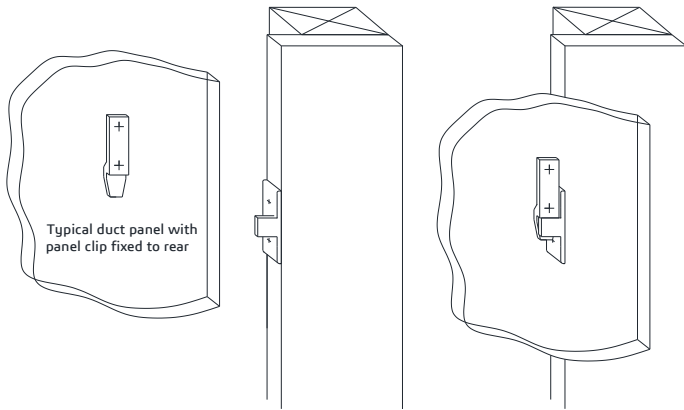


### Information Provided for Guidance Only

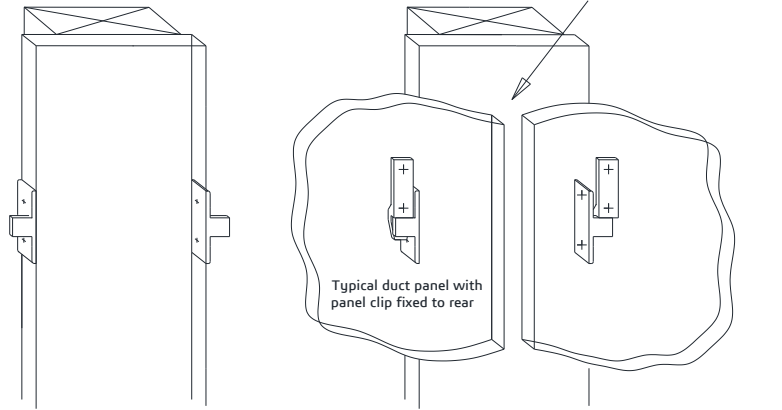


# Panel Clip - Details

Typical drawing showing END / WALL shadow panel & duct panel clip arrangement



Typical drawing showing MIDDLE shadow panel & duct panel clip arrangement



## PANEL CLIPS ~ 'L' BRACKETS ~ LOCK KEEPS ETC.

PILOT DRILLING FOR 12mm / 13mm SOLID GRADE COMPACT LAMINATE

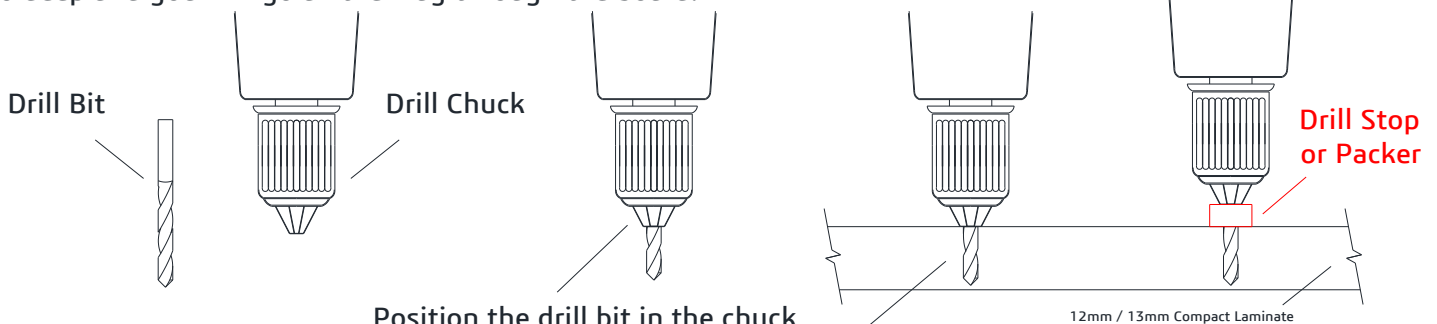
Position the drill bit in the drill chuck so that it is not sticking out further than the thickness of the board material

If required you should use a drill stop / packer

It is important to drill the hole to the correct depth.

Too short and you will break out the front of the board or round out the threads on the hole

To deep and you will go all the way through the board.

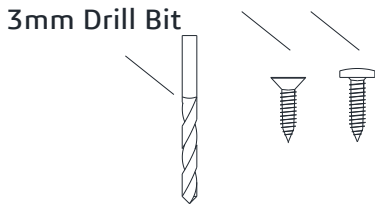


Position the drill bit in the chuck. The drill bit should be deep enough so as not to come through the front of the board

**DO NOT DRILL ALL THE WAY THROUGH THE BOARD**

# Loose Fixings & Drilling

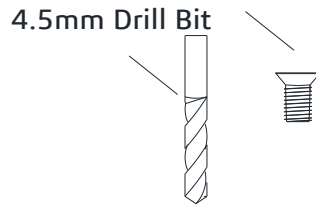
CSK Screw  
Various Lengths



2 Indicator Bolt Fixings  
Rear of Headrail Fixings

Both Require Drilling on Site

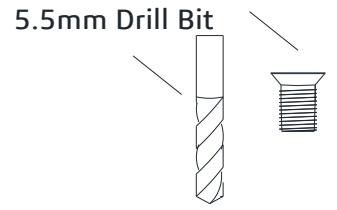
M5 CSK Machine Screw  
10mm Long - 9mm Dia



Pilaster "D" Bracket Fixings - Predrilled

Keep Fixings - Require Drilling on Site

M6 CSK Machine Screw  
12mm Long - 11mm Dia

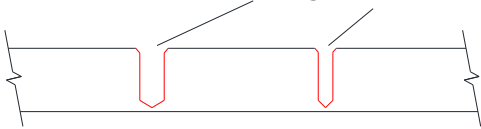


Hinge Fixings - Predrilled

## LOCK FIXINGS & LOCK KEEP FIXINGS DO NOT DRILL ALL THE WAY THROUGH THE BOARD

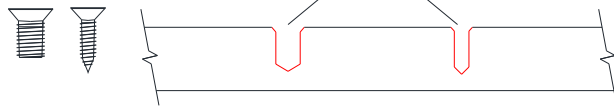
### Correct Hole Depth

Holes also require a slight countersink to the top

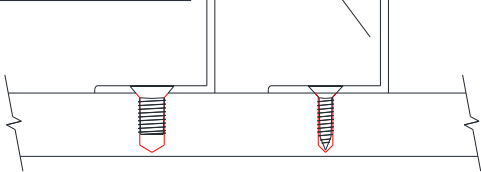


Lock Keep Shown as an example

### Incorrect Hole Depth - Not Deep Enough



### Correct Hole Depth

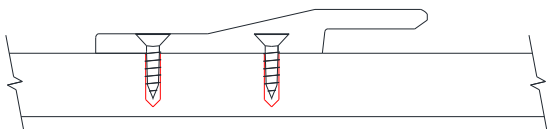


### Incorrect Hole Depth Not Deep Enough



### Correct Hole Depth

Lift of Panel Clips Shown as an example



If the holes are not drilled deep enough  
the fixings will break the front of the board

DO NOT DRILL ALL THE WAY THROUGH THE BOARD