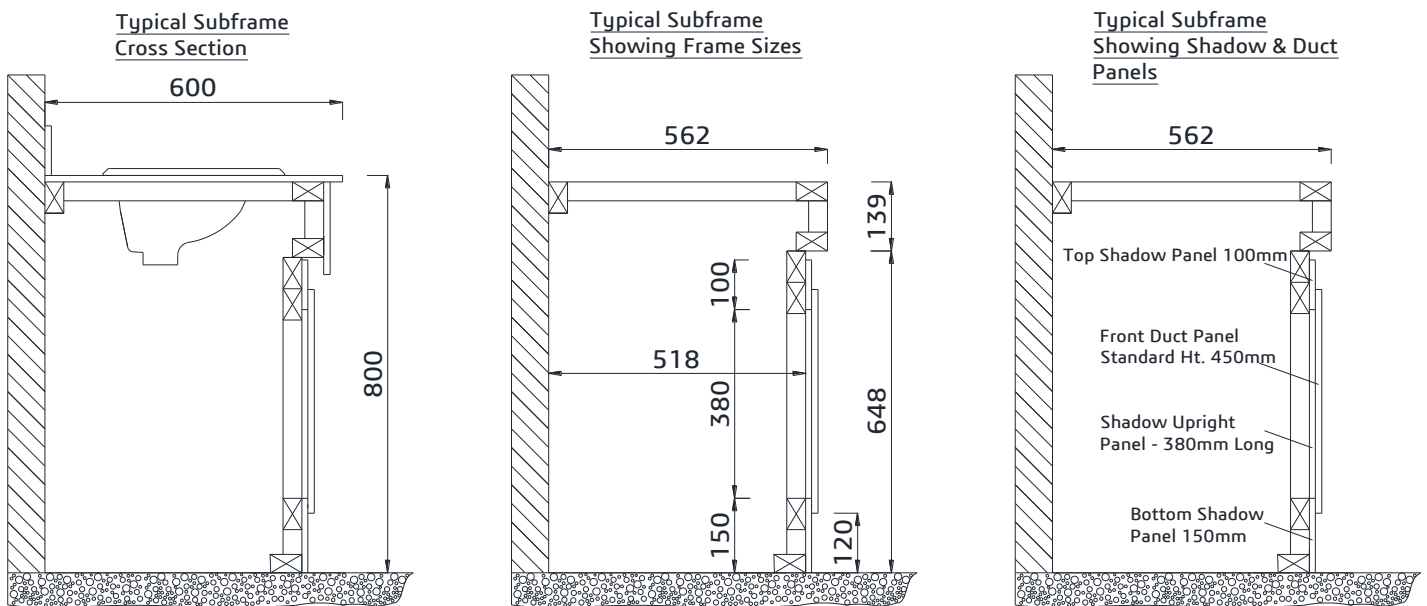


Compact Flat Panel Vanity - Typical Frame Drawings - Details

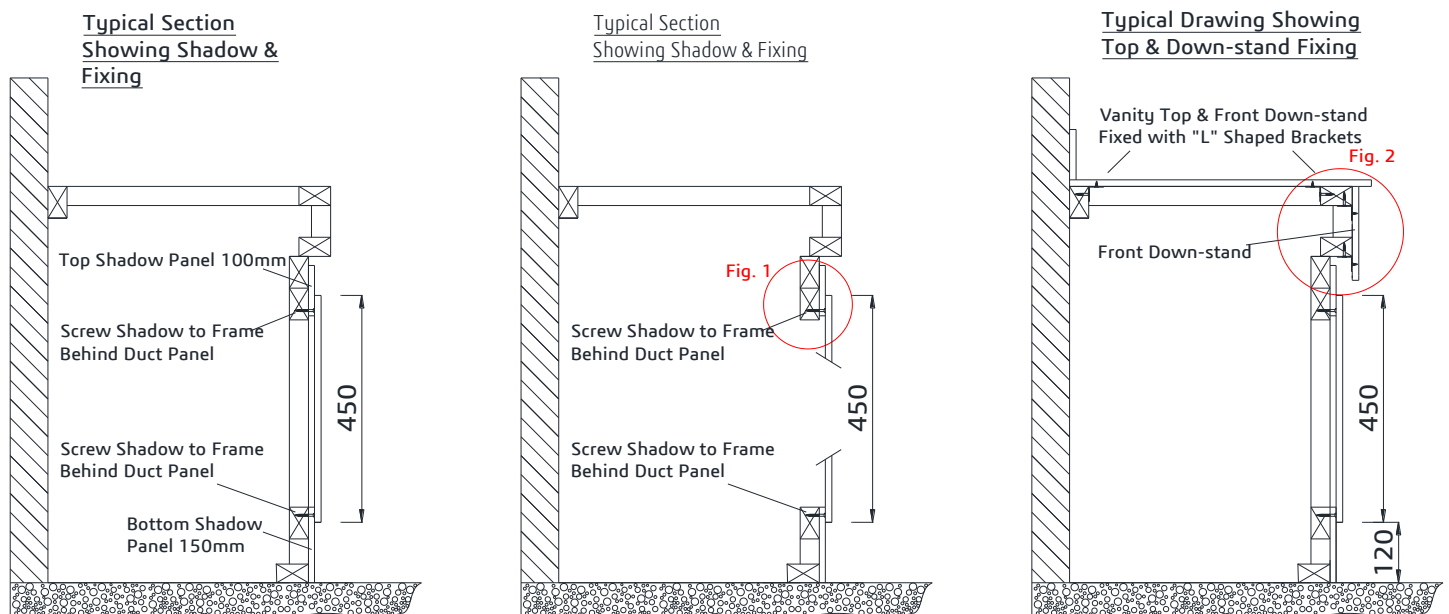
The following drawings are provided as a guide only.

Frame cross section drawings are based on a Vanity 600mm deep x 800mm high using 3X2 CLS.

Note - Frame sizes will change when different depths and/or heights are supplied, frame modifications may also need to be made to suit waste/soil pipes, plumbing or drains etc.



Information Provided for Guidance Only



Information Provided for Guidance Only

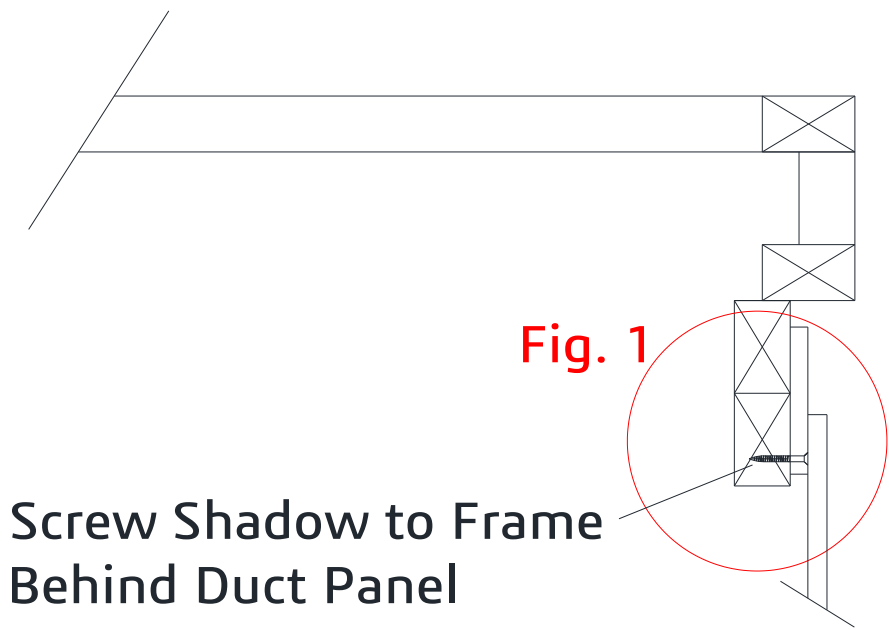


Fig. 1

Screw Shadow to Frame Behind Duct Panel

Vanity Top & Front Down-stand Fixed with "L" Shaped Brackets

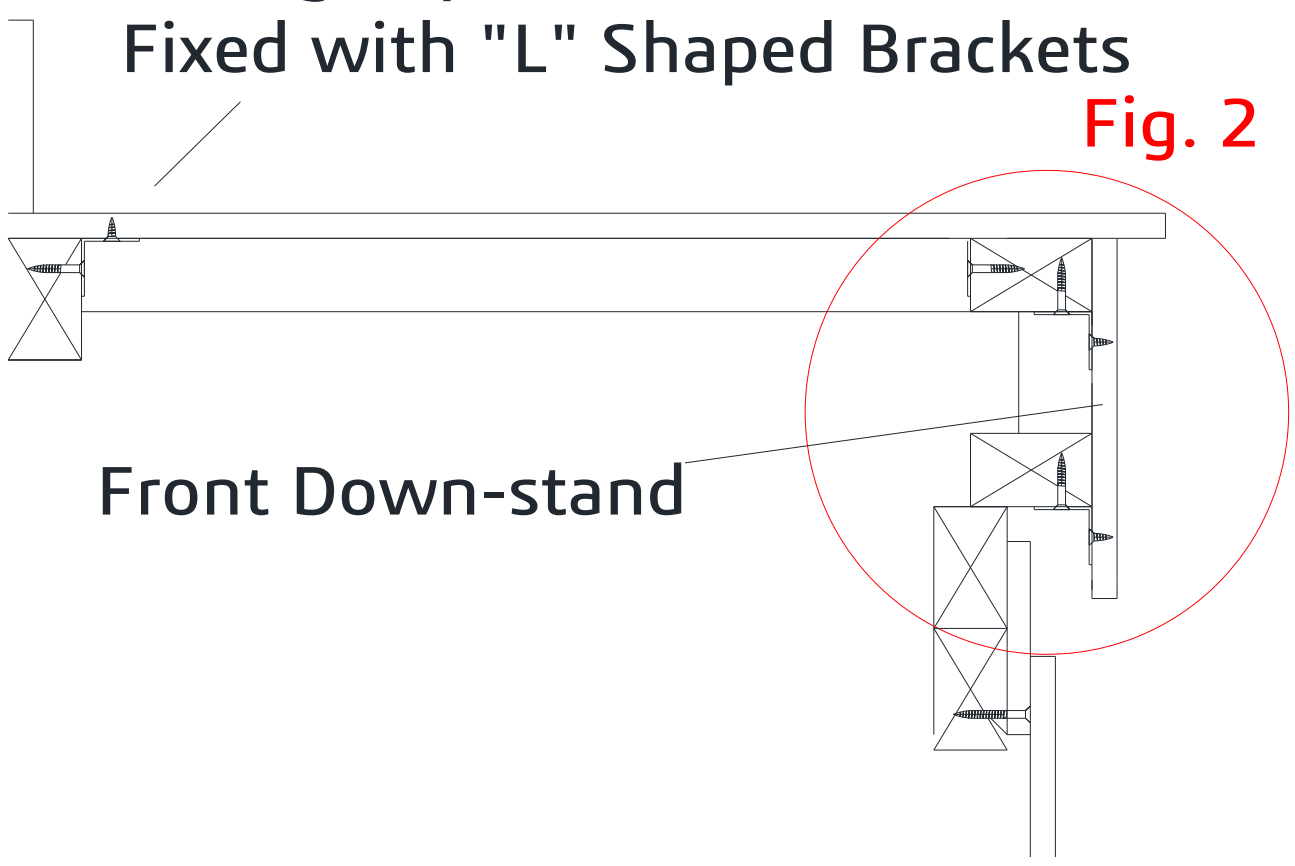
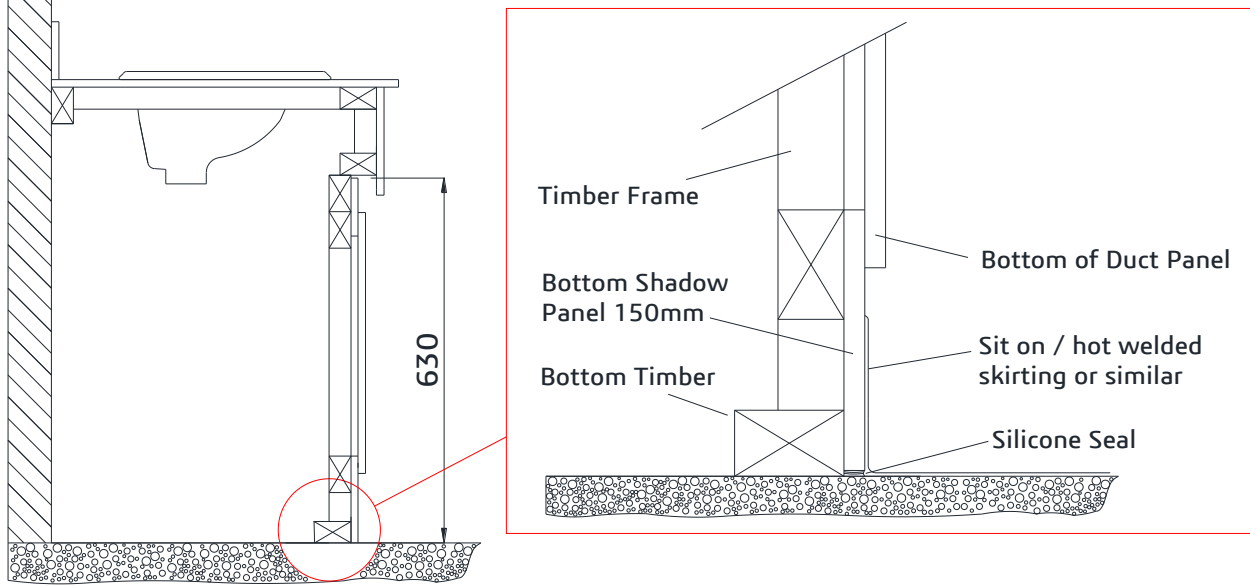


Fig. 2

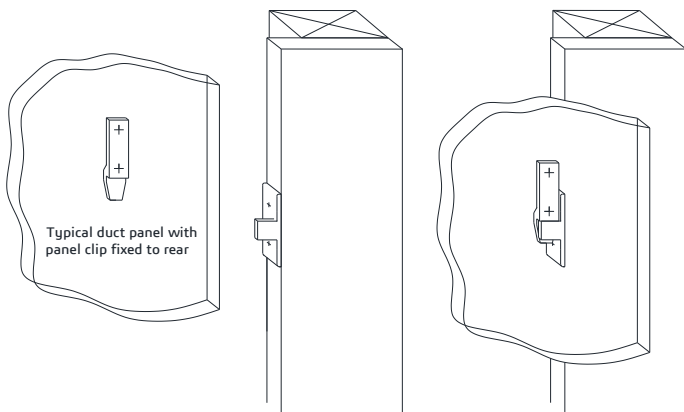
Front Down-stand

Vanity Frame / Shadow Floor Detail

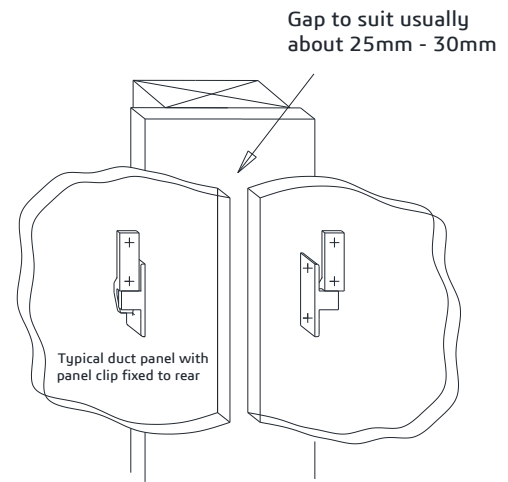


Panel Clip - Details

Typical drawing showing END / WALL shadow panel & duct panel clip arrangement



Typical drawing showing MIDDLE shadow panel & duct panel clip arrangement



PANEL CLIPS ~ 'L' BRACKETS ~ LOCK KEEPS ETC.

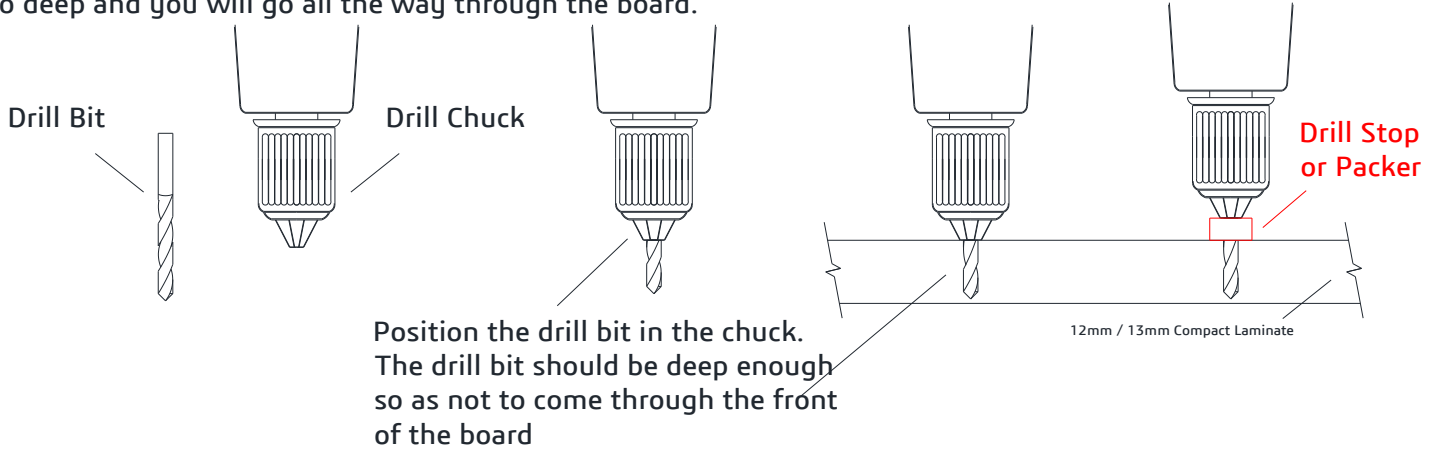
PILOT DRILLING FOR 12mm / 13mm SOLID GRADE COMPACT LAMINATE

Position the drill bit in the drill chuck so that it is not sticking out further than the thickness of the board material

If required you should use a drill stop / packer

It is important to drill the hole to the correct depth.

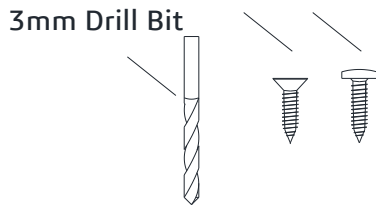
Too short and you will break out the front of the board or round out the threads on the hole
Too deep and you will go all the way through the board.



DO NOT DRILL ALL THE WAY THROUGH THE BOARD

Loose Fixings & Drilling

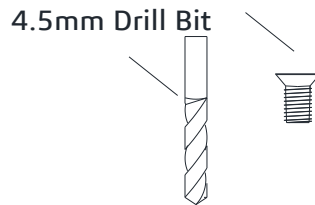
CSK Screw
Various Lengths



2 Indicator Bolt Fixings
Rear of Headrail Fixings

Both Require Drilling on Site

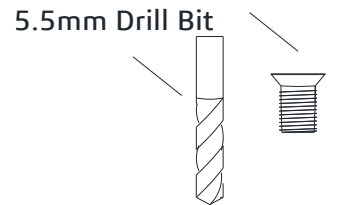
M5 CSK Machine Screw
10mm Long - 9mm Dia



Pilaster "D" Bracket Fixings - Predrilled

Keep Fixings - Require Drilling on Site

M6 CSK Machine Screw
12mm Long - 11mm Dia



Hinge Fixings - Predrilled

**LOCK FIXINGS & LOCK KEEP FIXINGS
DO NOT DRILL ALL THE WAY THROUGH THE BOARD**

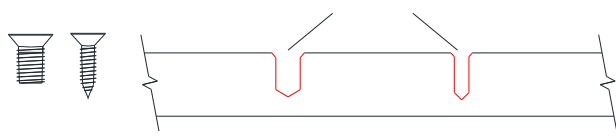
Correct Hole Depth

Holes also require a slight countersink to the top

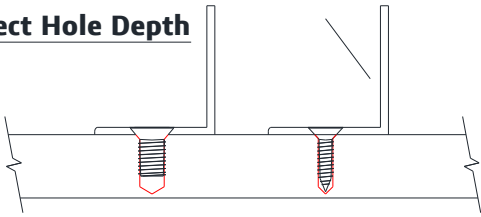


Lock Keep Shown as an example

Incorrect Hole Depth - Not Deep Enough

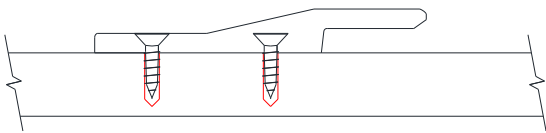


Correct Hole Depth

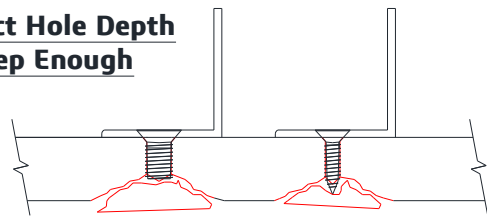


Correct Hole Depth

Lift of Panel Clips Shown as an example



Incorrect Hole Depth Not Deep Enough



If the holes are not drilled deep enough the fixings will break the front of the board

DO NOT DRILL ALL THE WAY THROUGH THE BOARD