

Apollo Range Cubicle Specification / Information

Our Apollo Range is a Standard Height Cubicle System, designed and manufactured to fit your site dimensions and specific requirements.

This Cubicle Range is manufactured from Standard Grade MFC, suitable for light to medium usage dry areas.

We understand Everyone's Project is individual be it Sizes and/or Colours

We will design it to fit....!

Standard Height Cubicles – Panels are 1800mm, Ground Clearance 150mm

Doors – Based on a Standard Door opening of 580mm, door size is 620mm x 1800mm (W x H)

Dividers – Standard Size 1500mm x 1800mm (W x H)

None Standard

Doors / Door Openings – We design and manufacture to your overall site sizes, this means your layout may require **SMALL DOORS** or **BIG DOORS**. The same for Dividers, we can supply Dividers to any size (depending on colour & originating sheet size).

Pilaster sizes are manufactured to fit, these can be increased to create a smaller opening and door or reduced to create a bigger door opening and door.

Mid Pilasters normally have the divider to the middle, however, if required dividers can be offset to move the door to one side or the other. *We will design it to fit....!*

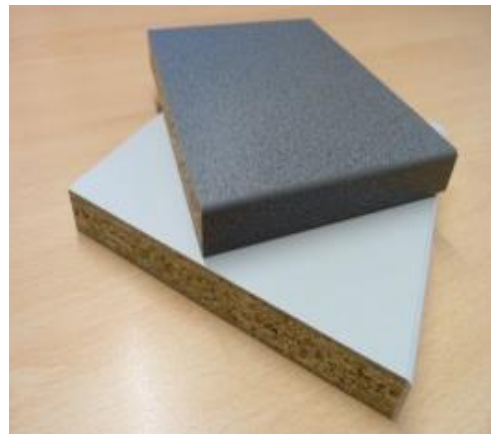


Apollo Range Cubicles

18/19mm Standard
Grade Melamine Faced Chipboard
Board

USAGE

Suitable for Light to Medium Usage
Dry Environments



WE WILL take the strain out of your project ~ Contact our Sales Team 01429 277500 – 272084

Delivering Toilet Cubicle Solutions Nationwide, Daily. CALL US TODAY



Apollo Range Cubicle Specification / Information

Light Grey or White Doors & Dividers / Choice of Colour for Pilasters



White Doors & Dividers / Mid Blue Pilasters

Light Grey Doors & Dividers / Dark Grey Pilasters



Light Grey Doors & Dividers / Vivid Lime Pilasters



WE WILL take the strain out of your project ~ Contact our Sales Team 01429 277500 – 272084

Delivering Toilet Cubicle Solutions Nationwide, Daily. CALL US TODAY

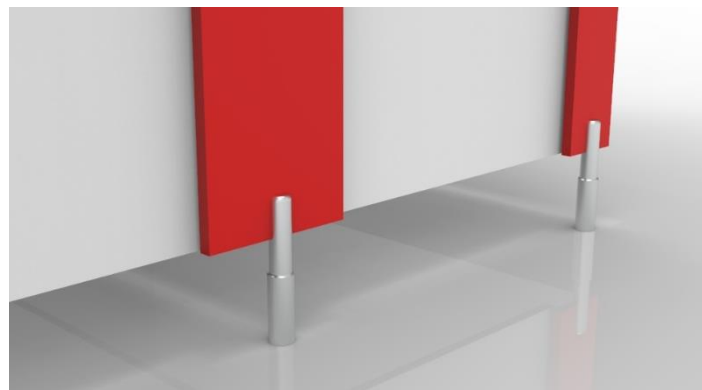
Apollo Range Cubicle Specification / Information

Cubicle Furniture

All orders / quotes include the relevant Cubicle Furniture



Locks / Indicator Bolts with concealed secure fixings, standard with inward opening keep.



Adjustable Height Cubicle Legs with adjustment of – 20mm or + 10mm

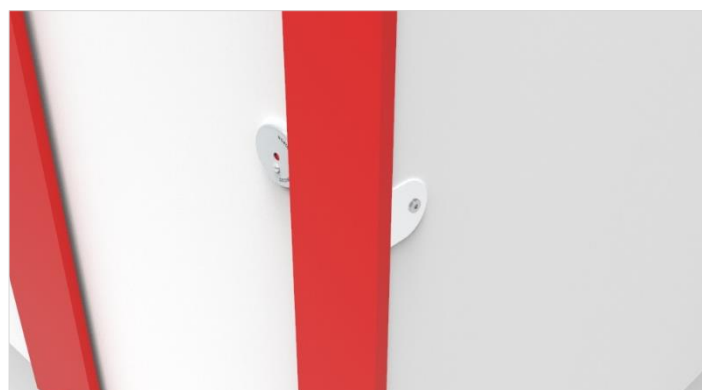


Hinges, as standard we supply two hinges per door, wider doors are supplied with three hinges as deemed necessary.

Hinges are a rise and fall type and can be set to either fall closed (door in closed position) fall open (door in the open position so you can see the cubicle is not in use) or to fall mid way between.

This adjustment can be done on site to your preference.

Hinges are Anti Finger Trap design.



Divider “D” Brackets are screw fixed to Pilasters



“L” Shaped Headrail

As Standard Furniture is supplied Silver / Light Grey

WE WILL take the strain out of your project ~ Contact our Sales Team 01429 277500 – 272084

Delivering Toilet Cubicle Solutions Nationwide, Daily. CALL US TODAY

Apollo Range Cubicle Specification / Information

Simply provide us with your overall sizes, **WE WILL DESIGN IT TO FIT.**

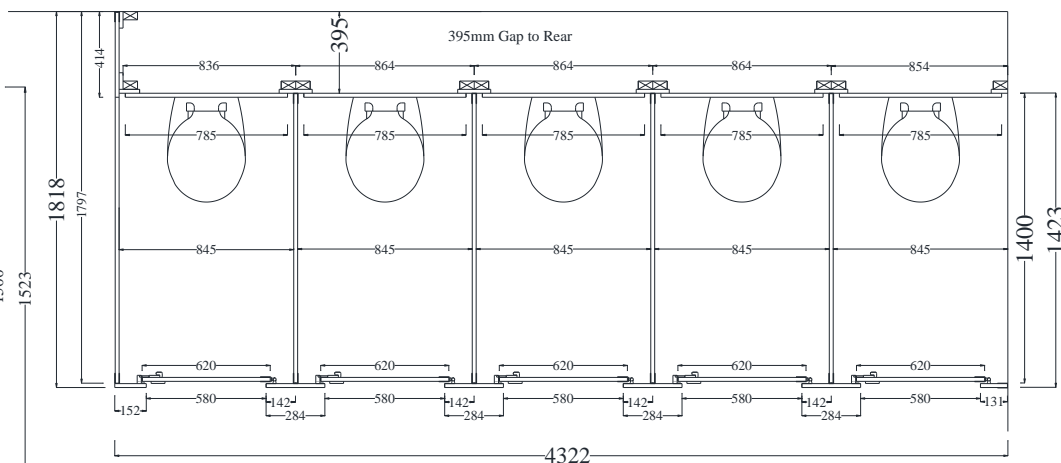
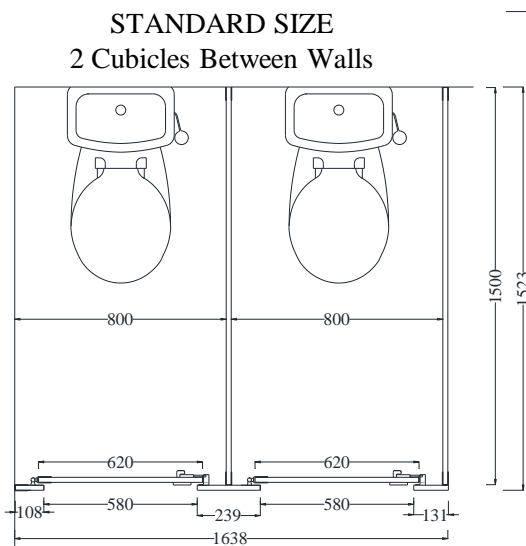
CAD Drawings with your order.

Detailed drawings are issued allowing Customers to check all aspects of the proposed works are correct.

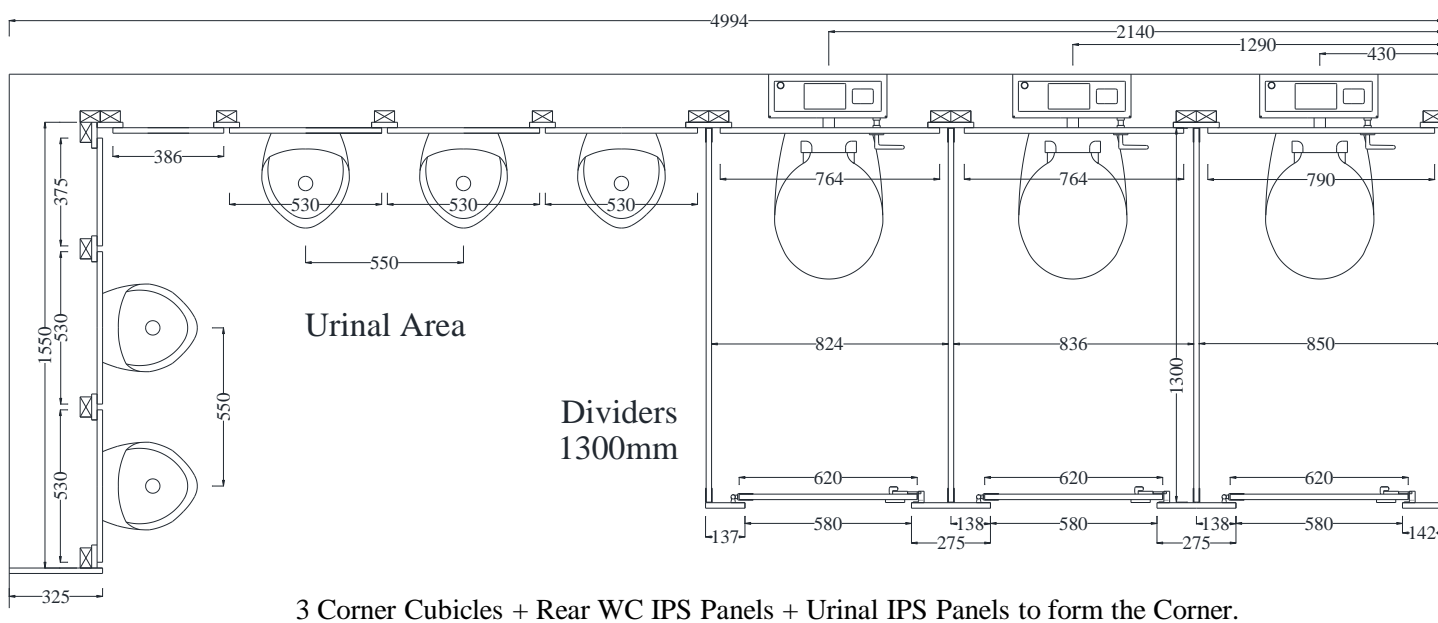
Drawings will show sizes, hand/swing of doors colours etc. Drawing revisions are issued if required.

Once you are happy a confirmation or acceptance email is required prior to manufacture.

Example Drawings Below



Above ~ 5 Corner Cubicles + Rear IPS Panels, Spacings for IPS Timber Frames – Increased Cistern Void ~ Overall Sizes and Layout to Customers on Site Requirements



3 Corner Cubicles + Rear WC IPS Panels + Urinal IPS Panels to form the Corner.
 Sizes for IPS Timber Frames, Overall Sizes and Layout to Customers on site requirements

WE WILL take the strain out of your project ~ Contact our Sales Team 01429 277500 – 272084

Delivering Toilet Cubicle Solutions Nationwide, Daily. CALL US TODAY



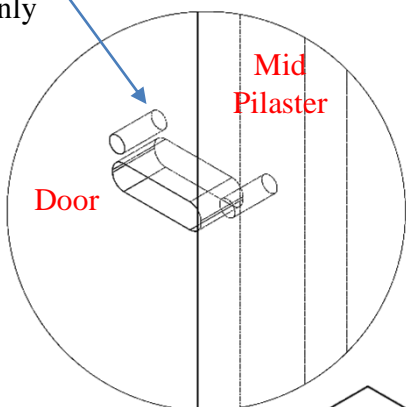
Apollo Range Cubicle Specification / Information

APOLLO RANGE	
Board Material	18mm Standard Grade - Melamine Faced Chipboard (MFC)
Edging	All Panels are lipped with 2mm ABS Edging Tape for added Edge Protection.
	All Panels are normally lipped using the same colour edging as the Pilasters.
Cubicle Panels	Doors, Dividers & Pilasters are Manufactured from 18mm MFC.
Cubicle Panel Sizes	As Standard - Doors, Dividers & Pilasters are Manufactured 1800mm in Height.
	As Standard - Door Openings Range Between 580mm and 620mm. Doors are 40mm bigger allowing 20mm Overhang to both the Hinge and Clashing Side.
	As Standard - Dividers are 1500mm Deep, Larger Dividers are available.
Pre-Drilled Panels	Doors are Pre-Drilled for Locks
	All other items need to be drilled by others on site - Legs are to be fitted to Pilasters
Ground Clearance	Cubicle Legs and Panels are supplied to give a Ground Clearance of 150mm
Furniture	Aluminium Cubicle Furniture - Silver Finish
Environment	Light usage applications ~ Not suitable for Wet Areas
	Suitable for Dry Areas which are not subject to any Moisture
Usages *	Toilet Cubicles, Modesty Screens
* The buyer is responsible for ensuring products purchased is suitable for its intended environment.	

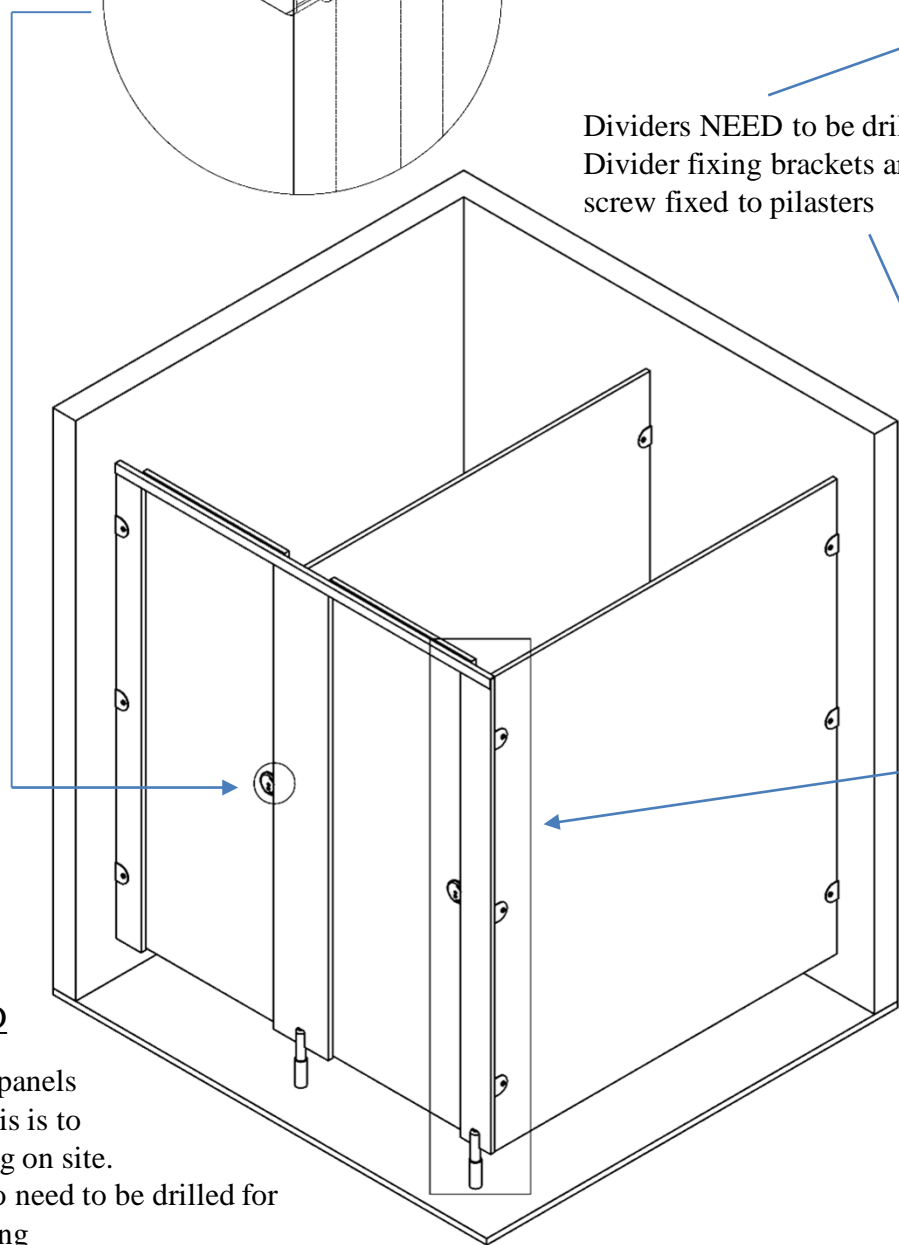
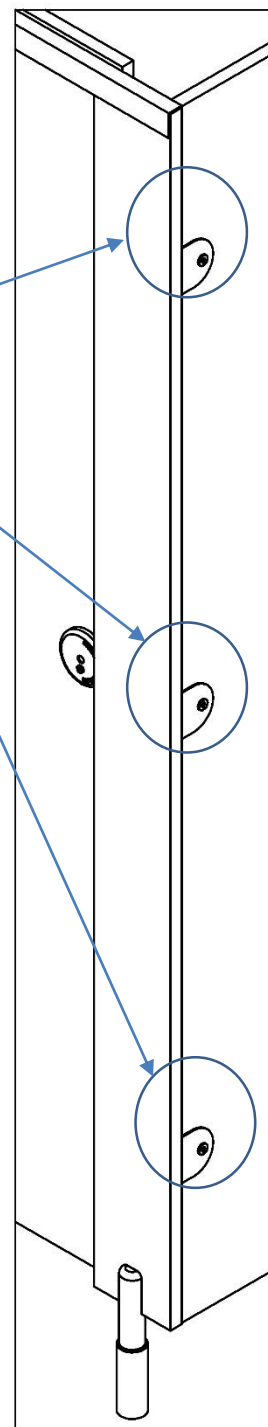
Easy to Fit on Site

Our Apollo Range of Cubicles are Manufactured and pre-drilled where possible to save you valuable installation time and for easy fitting on site.

Doors are drilled for cubicle lock only



Dividers NEED to be drilled.
Divider fixing brackets are screw fixed to pilasters



NOT DRILLED

Wall connecting panels are not drilled, this is to allow for levelling on site.
Cubicle Legs also need to be drilled for on site for levelling

Dividers and Pilasters are screw fixed and need to be done on site.

WE WILL take the strain out of your project ~ Contact our Sales Team 01429 277500 – 272084

Delivering Toilet Cubicle Solutions Nationwide, Daily. CALL US TODAY